

ROOM FINISH SCHEDULE

BLDG	ROOM NO.	DESCRIPTION	FLOOR	BASE	WALLS				CEILING		REMARKS	ROOM NO.	BLDG
					NORTH	EAST	SOUTH	WEST	MATL	HEIGHT			
BUILDING C	C103	TEACHERS LOUNGE	-	-	-	-	-	-	-	VARIES		C103	BUILDING C
	C104	WOMEN	3B	3B	1C 3B	1C 3B	1C 3B	1C 3B	1C	10'-0"		C104	
	C103	BOYS	-	-	-	-	-	-	-	VARIES	PATCH AND MATCH AS REQUIRED	C103	
	C104	GIRLS	-	-	-	-	-	-	-	VARIES	PATCH AND MATCH AS REQUIRED	C104	
BUILDING D	D103	CUSTODIAN	1A	4A	1A	1A	1A	1A	1A	10'-0"	PATCH AND MATCH AS REQUIRED	D103	BUILDING D
	D104	MEN	3B	3B	1C 3B	1C 3B	1C 3B	1C 3B	1C	10'-0"		D104	

FINISH NOTES AND MATERIALS

FLOORS

- (E) CONCRETE
- 1/2" FLYWOOD
- UNGLAZED CERAMIC MOSAIC TILE

BASE

- (E) CEMENT COVE
- 4" RUBBER TOPSET
- 6" COVED GLAZED CERAMIC TILE
- (E) RUBBER TOPSET BASE

FINISHES

- EXISTING
- FACTORY FINISH
- PAINT - PER SPECIFICATIONS
- SEALER

WALLS

- EXISTING
- 1/2" FLYWOOD
- 3/4" CEMENT PLASTER
- 3/8" TYPE "X" GYP BD WITH 1/8" VENEER PLASTER FINISH
- GLAZED CERAMIC TILE PER SPECIFICATIONS

CEILING

- EXISTING
- 3/4" CEMENT PLASTER OVER METAL LATH
- 3/8" TYPE "X" GYP BD WITH 1/8" VENEER PLASTER FINISH

FINISH SCHEDULE NOTES

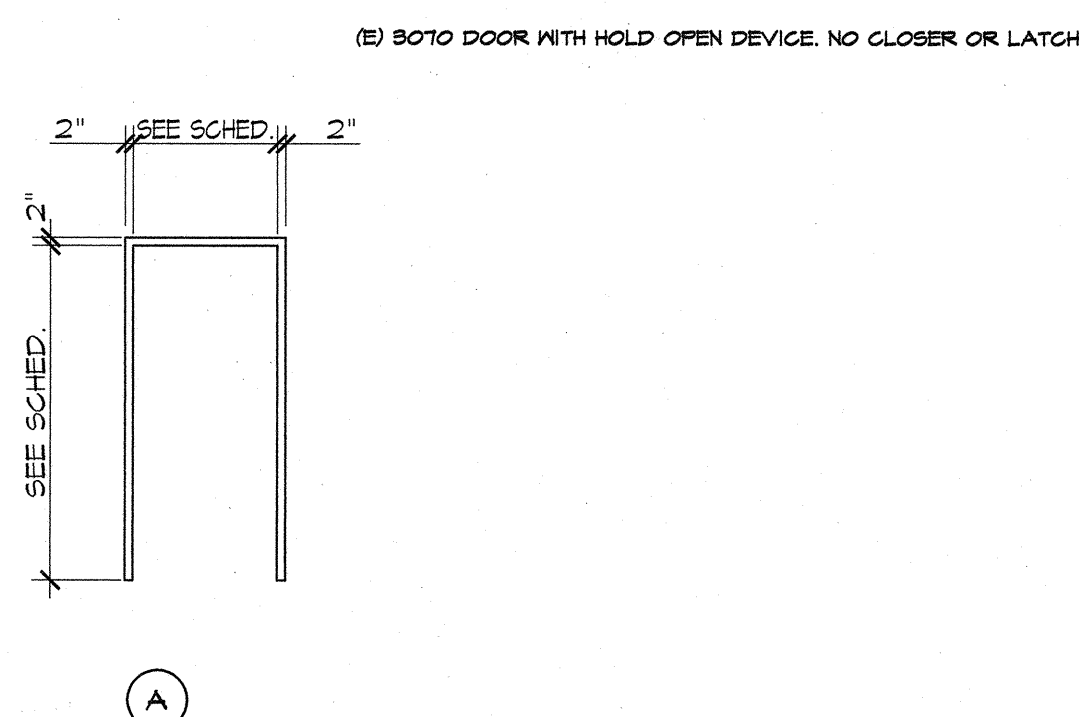
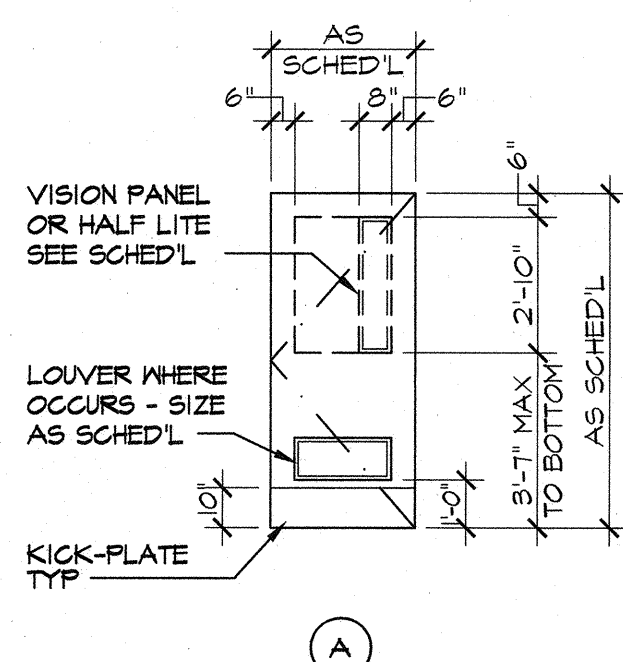
- CERAMIC TILE SHALL BE INSTALLED IN ACCORDANCE W/ TILE COUNCIL OF AMERICA INSTALLATION PROCEDURES FOR COMMERCIAL CONSTRUCTION (CURRENT EDITION)
- SEE INTERIOR ELEVATIONS FOR SOFFIT & CABINET HEIGHTS
- SEE REFLECTED CEILING PLAN FOR VOLUME OR VAULTED CEILING
- ALL GYP. BOARD SHALL BE FIRE TAPED
- ALL WOOD TRIMS @ DOORS & WINDOWS SHALL BE PAINTED WITH SEMI GLOSS ENAMEL
- ALL INTERIOR FINISHES SHALL CONFORM WITH CBC CHAPTER 8, CFCG SECTION 1103.3.3, TITLE 19 CCR
- ALL CERAMIC TILE GROUT SHALL RECEIVE SEALANT
- 6" QUARRY TILE BASE WHERE SHOWN ON INTERIOR ELEVATIONS, SEE SHEETS A4.0.

DOOR SCHEDULE

BLDG	DR. NO.	DOOR			LOUVER SIZE	FRAME		RATINGS	HDWR NUMBER	DETAILS				REMARKS	SIGNAGE	DOOR NUMBER	BLDG
		TYPE	SIZE (EACH LEAF)	MATL		TYPE	MATL			L/JAMB	HEAD	R/JAMB	THRESHOLD				
BLDG-C	C103A	A	3'-6"x7'-0"	HM	--	A	HM	N/A	01	24/A10.1	18/A10.1	24/A10.1	--		A	C103A	BLDG-C
	C103B	(E)	(E) 3'-6"x7'-0"	HM	--	(E)	HM	N/A	--	(E)	(E)	(E)	(E)		A	C103B	
	C104A	A	3'-0"x7'-0"	HM	--	A	HM	N/A	02	24/A10.1	18/A10.1	24/A10.1	--		F,6	C104A	
	C104B	(E)	(E) 3'-6"x7'-0"	HM	--	(E)	HM	N/A	03	(E)	(E)	(E)	(E)	(E)	F,6	C104B	
BLDG-D	D103A	A	3'-6"x7'-0"	HM	--	(E)	HM	N/A	04	24/A10.1	18/A10.1	24/A10.1	--		A	D103A	BLDG-D
	D104A	A	3'-0"x7'-0"	HM	--	(E)	HM	N/A	05	24/A10.1	18/A10.1	24/A10.1	--		D,E	D104A	

TYPICAL DOOR NOTES

- FOR BUILDERS HARDWARE, REFER TO SPECIFICATION SECTION 08 71 00
- EXIT DOOR REQUIREMENTS:
 - ALL EXIT DOORS IN SCHOOL BUILDINGS INCLUDING BUT NOT LIMITED TO DOORS OF TOILETS, AND STORAGE ROOMS, SHALL CONFORM WITH THE REQUIREMENTS OF CHAPTER 10, 2013 CBC, TITLE 24. THE FOLLOWING ARE SOME OF THE REQUIREMENTS:
 - EXIT DOORS SHALL OPEN FROM THE INSIDE WITHOUT THE USE OF A KEY OR ANY SPECIAL KNOWLEDGE OR EFFORT.
 - HAND ACTIVATED DOOR OPENING HARDWARE SHALL BE CENTERED BETWEEN 34" AND 44" (INCHES) ABOVE THE FLOOR, PER 2013 CBC 11B-404.2.7
 - DEAD BOLTS ARE NOT PERMITTED UNLESS OPERABLE WITH A SINGLE EFFORT BY LEVER TYPE HARDWARE.
 - ALL EXTERIOR FACED DOOR GLAZING SHALL BE SINGLE GLAZED, TINTING TO MATCH WINDOW GLAZING.
 - ALL ALUM. DOORS & DOOR FRAMES SHALL BE ANODIZED ALUMINUM - PER SPEC
 - ALL HOLLOW METAL DOOR & DOOR FRAMES SHALL BE PAINTED WITH SEMI-GLOSS ENAMEL
 - ALL WOOD DOORS SHALL RECEIVE STAIN W/ SEMI-TRANSPARENT FINISH, UNO
 - ALL INTERIOR DOOR FRAMES SHALL BE 2" WIDE UNLESS NOTED OTHERWISE UNO
 - ADJUST DOOR CLOSING DEVICES TO 5 LBS. EXTERIOR & 3 LBS. INTERIOR.
 - PAINT LOUVER(S), SIZE AND LOCATION AS INDICATED, WITH SEMI-GLOSS ENAMEL FINISH.
- PROVIDE ACCESSIBLE TOILET ROOM SIGNAGE, SEE TYPES THIS SHEET.
- ALL INTERIOR GLAZING SHALL BE 5/16" FIRELITE PLUS AT FIRE RATED ASSEMBLIES, FOR NON-RATED ASSEMBLIES, USE 1/4" CLEAR TEMP GLASS
- PROVIDE VISION PANEL, SIZE AS INDICATED WITH 5/16" FIRELITE PLUS AT FIRE RATED ASSEMBLIES, FOR NON-RATED ASSEMBLIES, USE 1/4" CLEAR TEMP GLASS
- DOOR LEVER REQUIREMENTS (A10.0)
- NOT USED
- PROVIDE HALF LITE, SIZE AS INDICATED, WITH 5/16" FIRELITE PLUS AT FIRE RATED ASSEMBLIES, FOR NON-RATED ASSEMBLIES, USE 1/4" CLEAR TEMP GLASS
- REFER TO STRUCTURAL DRAWING FOR HEADER SIZES REQUIRED
- MIN. FLOOR SPACE REQUIREMENTS AT DOORS (A10.0)
- EACH UNIT OF TEMPERED GLASS SHALL BE PERMANENTLY IDENTIFIED BY THE MANUFACTURER. THE IDENTIFICATION SHALL BE ETCHED OR CERAMIC FIRED ON THE GLASS AND BE VISIBLE WHEN THE UNIT IS GLAZED. TEMPERED SPANDREL GLASS IS ENHANCED FROM PERMANENT LABELING BUT SUCH GLASS SHALL BE IDENTIFIED BY THE MANUFACTURER WITH A REMOVABLE PAPER LABEL.



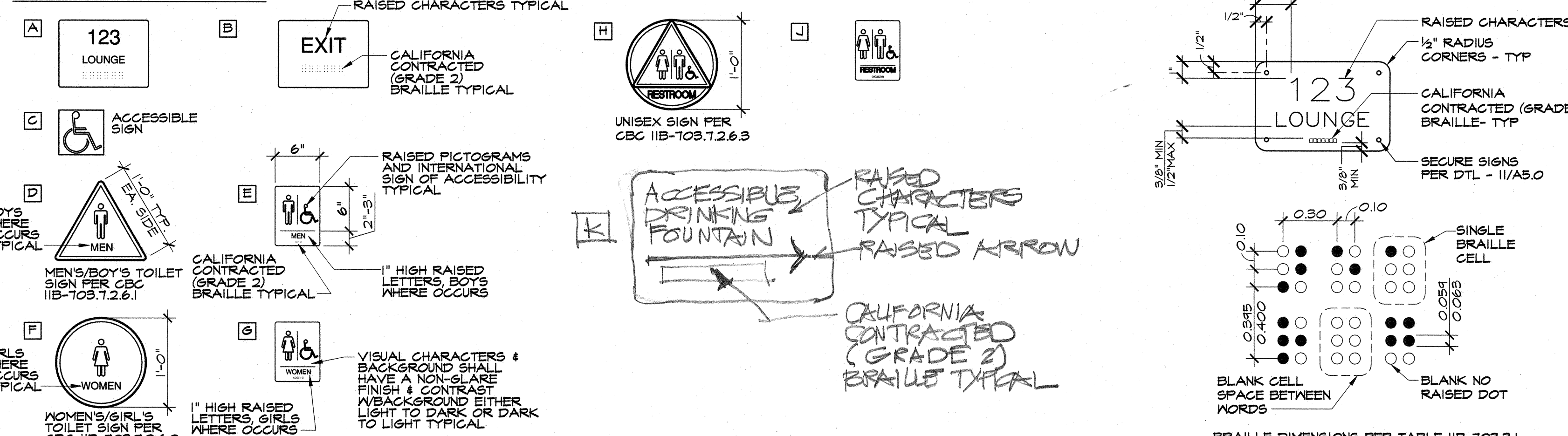
DOOR TYPES

SCALE: 1/4" = 1'-0"

FRAME TYPE

SCALE: 1/4" = 1'-0"

ROOM IDENTIFICATION SIGN

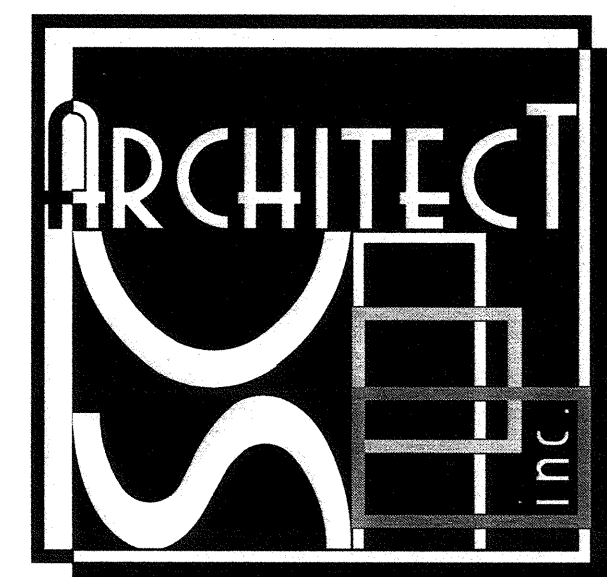
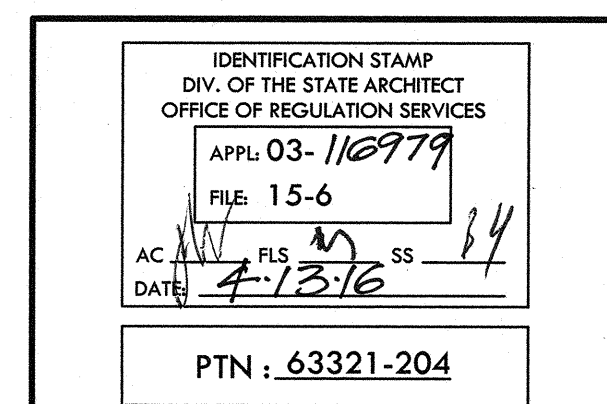


- NOTES:
- RAISED CHARACTERS SHALL BE UPPERCASE LETTERS & NUMERALS. SAN SERIF 5/8" MIN TO 2" MAX HEIGHT AND 1/32" MIN RAISED ABOVE BACKGROUND AND SHALL BE DUPLICATED IN BRAILLE PER SECTIONS 11B-103.2 & 11B-103.3 CHARACTERS SHALL BE SELECTED FROM FONTS WHERE THE WIDTH OF THE UPPERCASE LETTER "O" IS 60% MIN & 110% MAX OF THE HEIGHT OF THE UPPERCASE LETTER "I". STROKE THICKNESS OF THE UPPERCASE LETTER "I" SHALL BE 15% MAX OF THE HEIGHT OF CHARACTER. CHARACTER SPACING SHALL BE MEASURED BETWEEN THE TWO CLOSEST POINTS OF ADJACENT RAISED CHARACTERS WITHIN THE MESSAGE EXCLUDING WORD SPACES. WHERE CHARACTERS HAVE RECTANGULAR CROSS SECTIONS SPACING BETWEEN INDIVIDUAL RAISED CHARACTERS SHALL BE 1/8" MIN AND 4 TIMES THE RAISED CHARACTER STROKE WIDTH MAX. WHERE CHARACTERS HAVE OTHER CROSS SECTIONS, SPACING BETWEEN INDIVIDUAL RAISED CHARACTERS SHALL BE 1/16" MIN AND 4 TIMES THE RAISED CHARACTER STROKE WIDTH MAX AT THE BASE OF CROSS SECTIONS, AND 1/8" AND 4 TIMES THE RAISED CHARACTER STROKE WIDTH MAX AT THE TOP OF CROSS SECTIONS. CHARACTERS SHALL BE SEPARATED FROM RAISED BORDERS AND DECORATIVE ELEMENTS 3/8" MIN.
 - BRAILLE SHALL BE CALIFORNIA CONTRACTED (GRADE 2) AND SHALL COMPLY WITH SECTIONS 11B-103.3 & 11B-103.4, BRAILLE DOTS SHALL BE DOMED OR ROUNDED.
 - BRAILLE SHOWN HEREIN ARE NOT NECESSARILY INCLUDED IN THIS PROJECT. REFER TO PLANS AND SPECIFICATIONS FOR SIGNAGE TYPE AND LOCATION.
 - DIRECTIONAL SIGNS PER PLAN & DESIGNATED AT PATH OF TRAVEL.
 - TACTILE SIGNAGE MOUNTING AND ATTACHMENT PER SPECIFICATIONS.

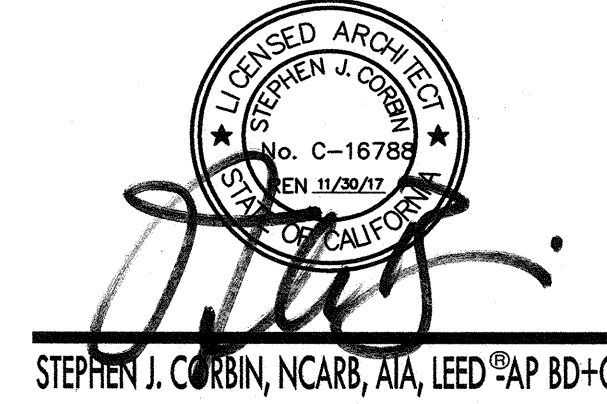
MARK	DATE	REVISIONS
△		
△		
△		

CHECK AND VERIFY ALL DIMENSIONS BEFORE PROCEEDING WITH THE WORK. REPORT DISCREPANCIES TO THE ARCHITECT. ALL CONSTRUCTION SHALL CONFORM TO THE C.B.C.

ROOSEVELT ELEMENTARY SCHOOL
 SITE IMPROVEMENTS FOR MODULAR CLASSROOM
 2324 VERDE STREET, BAKERSFIELD, CALIFORNIA
 FOR
 BAKERSFIELD CITY SCHOOL DISTRICT
 BAKERSFIELD, KERN COUNTY, CALIFORNIA, 93304



1601 NEW STINE ROAD, SUITE 280
 BAKERSFIELD, CA 93309
 PH: (661) 397-4377
 FAX: (661) 397-4378
 WWW.SCARCHITECT.COM



STEPHEN J. CORBIN, NCARB, AIA, LEED AP BD+C

DOOR SCHEDULE & ROOM FINISH SCHEDULE

JOB NO.	1216
DRAWN:	
CHECKED:	
DATE:	4/13/2016
OF SHEETS	5.0