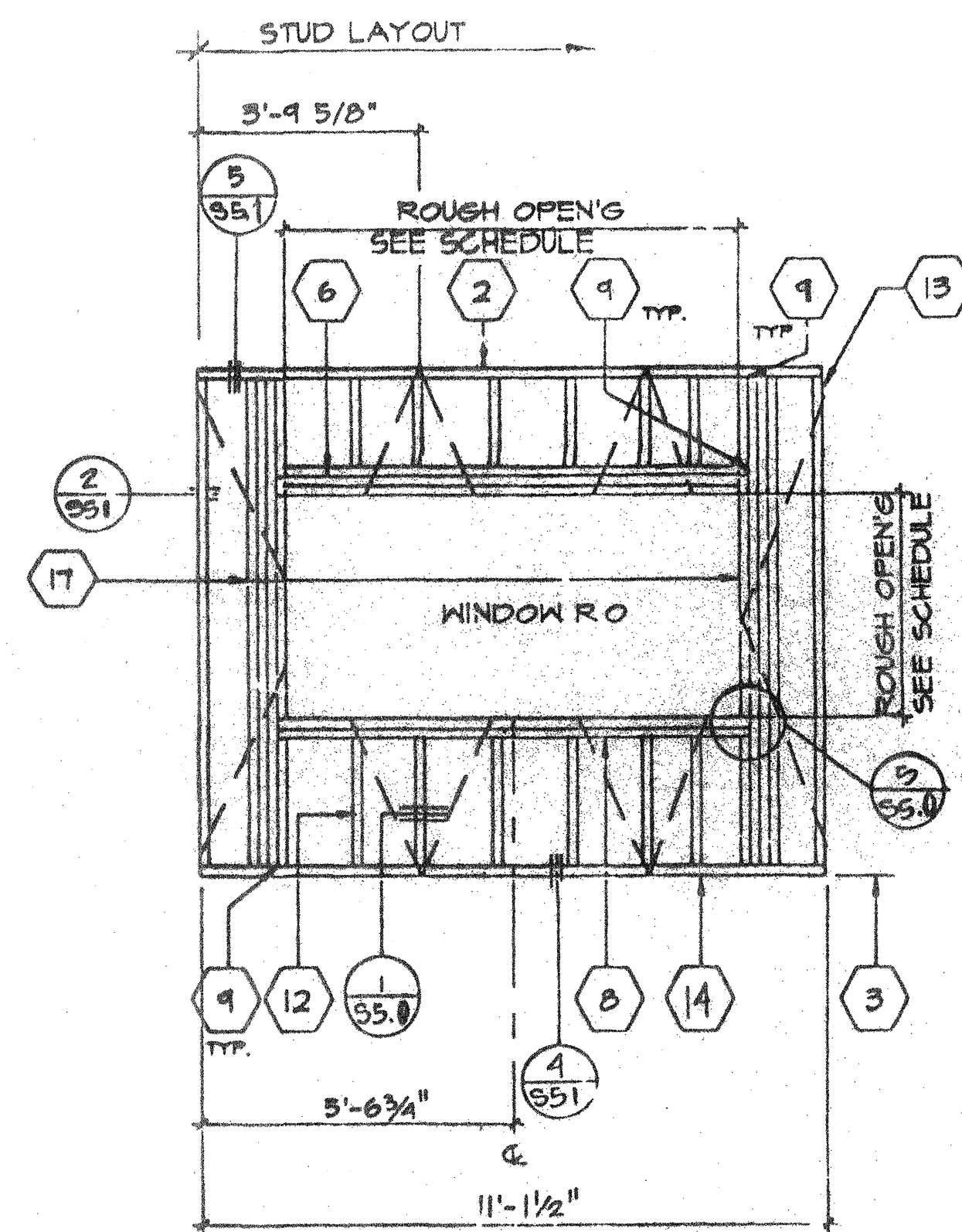
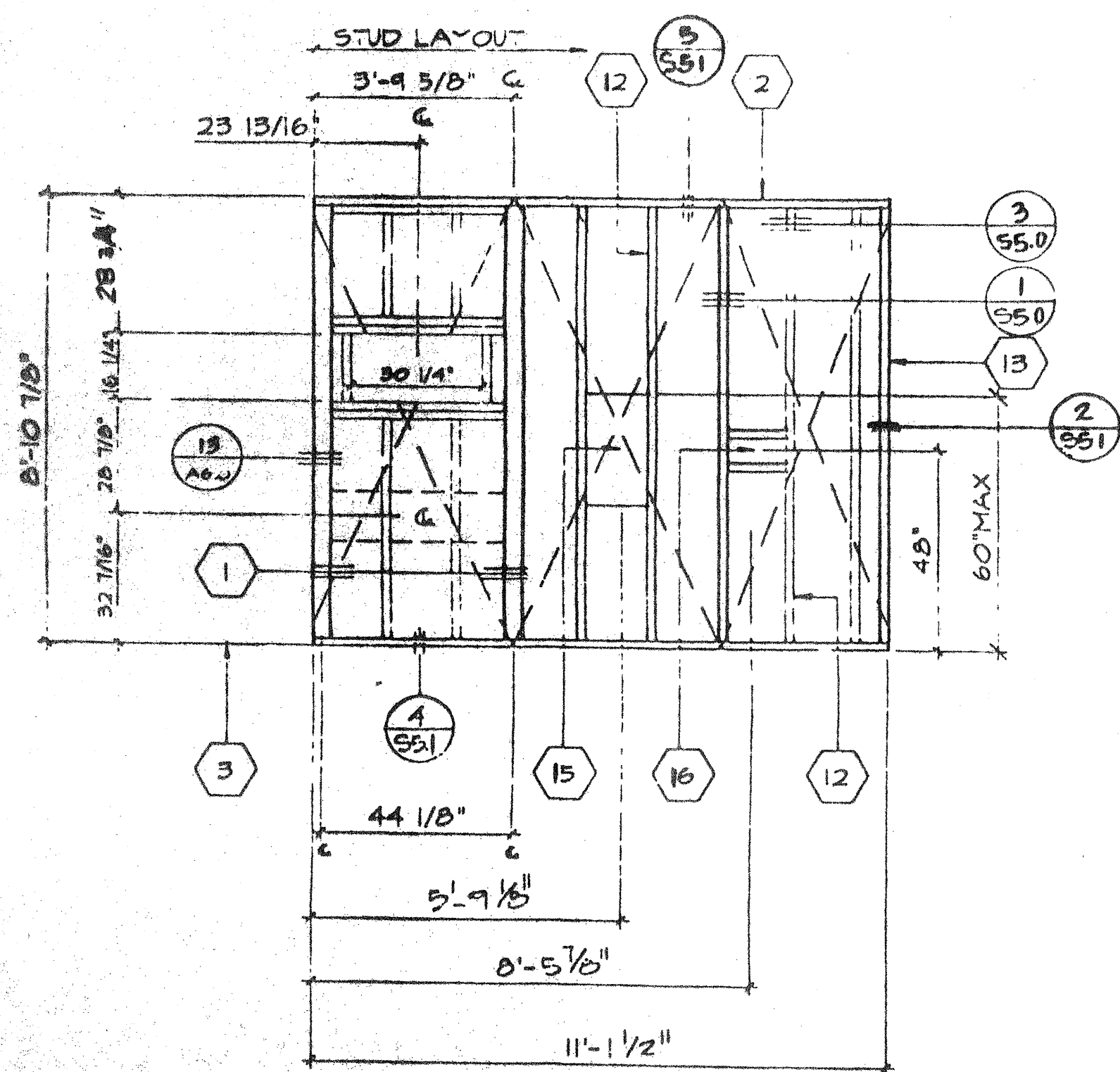


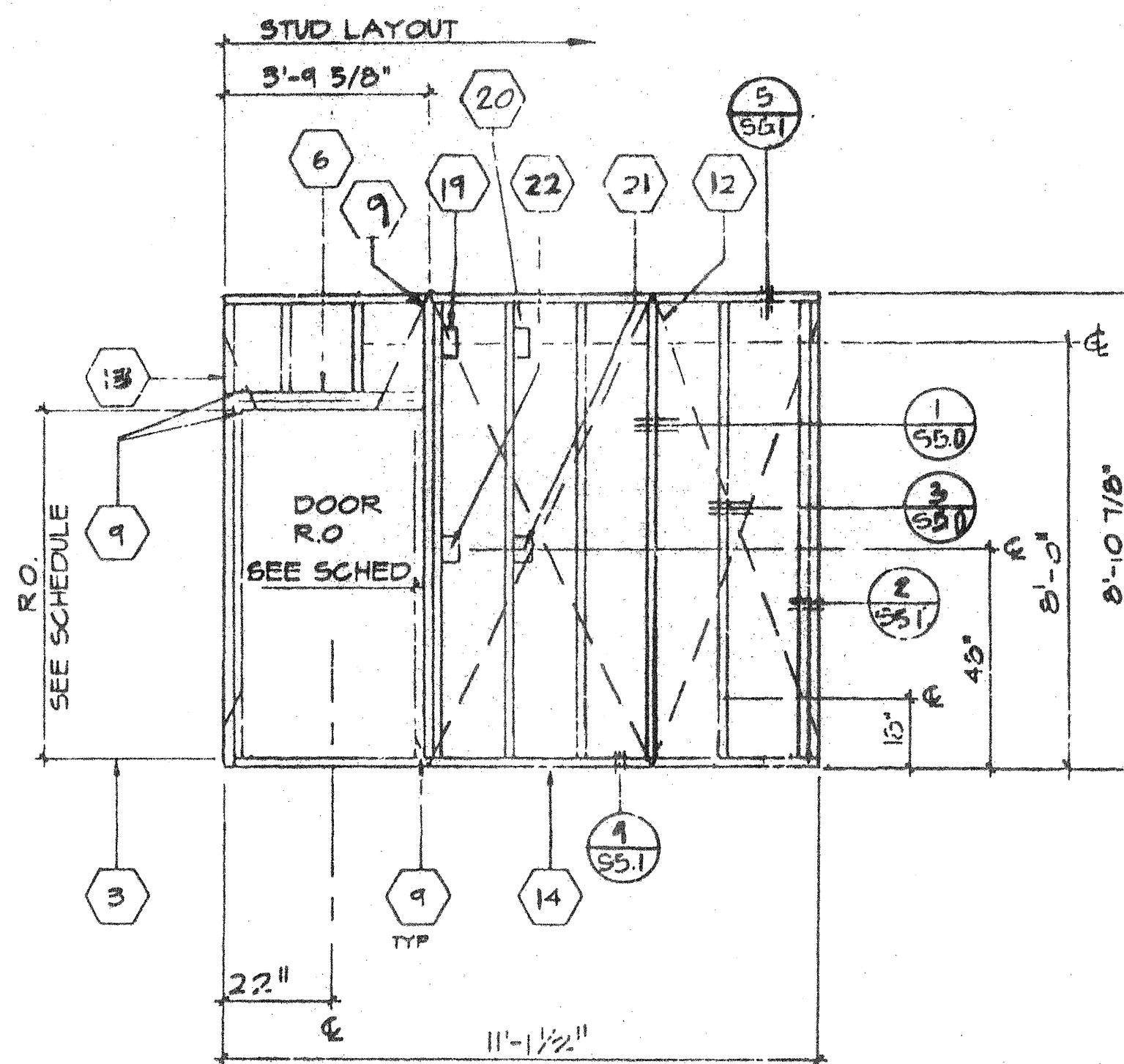
A
A₁ OPPOSITE HAND



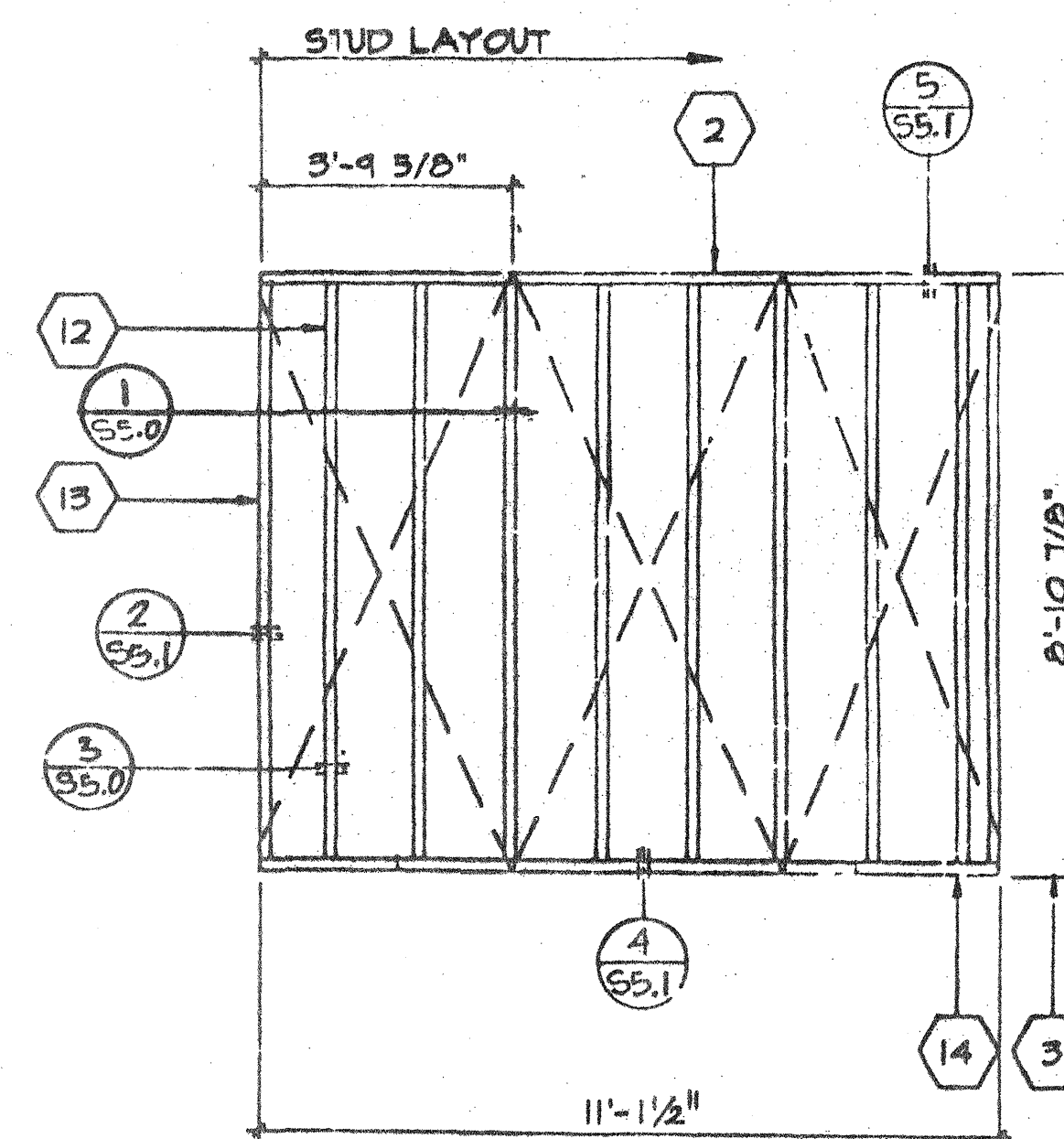
B
B₁ OPPOSITE HAND



C
C₁ OPPOSITE HAND



D
D₁ OPPOSITE HAND



E

KEY NOTES

- 1 4X4 POST ALI. USE 2-2X4 W/FACENAILING
- 2 2X4 TOP PLATE
- 3 FINISH FLOOR
- 4 2X4 FULL HGT KING STUDS AND 2X4 TRIMMER (SEE SCHEDULE FOR QUANTITY SH1.551)
- 5 NOT USED
- 6 HEADER (SEE SCHEDULE 12/55.1)
- 7 DUPLEX OUTLET BOX [EL]
- 8 WINDOW SILL PLATE (SEE SCHEDULE)
- 9 A 34 CLIPS @ HEADER & SILL TO FULL HGT. STUDS AND FULL HGT STUDS TO TOP AND BOTTOM PLATES SEE 4/55.1
- 10 REQUIRED OPENING FOR A 3068 DOOR (SEE DETAIL 12/55.0)
- 11 REQUIRED OPENING FOR A 8040 WINDOW (SEE DETAIL 12/55.0)
- 12 2X4 STUD @ 16" OC TYPICAL
- 13 2X4 NAILER TYPICAL @ EACH END
- 14 2X4 SILL PLATE
- 15 FRAME FOR ELECTRICAL PANEL
- 16 THERMOSTAT LOCATION 4S BOX
- 17 FULL HGT STUDS AND 1-2X4 TRIMMER (SEE WINDOW SCHEDULE FOR JAMB STUDS REQUIRED SH1.55.0)
- 18 CLOCK OUTLET + 7/8" AFF
- 19 "J" BOX FOR EXTERIOR LIGHT FIXTURE (TO EXTERIOR)
- 20 FIRE HORN (TO INTERIOR)
- 21 FIRE PULL STATION (TO INTERIOR)
- 22 LIGHT SWITCH BOX

AGENCY TRACKING NO. 63321-201
FILE NO. 15-6

IDENTIFICATION STAMP
DIV. OF THE STATE ARCHITECT
OFFICE OF REGULATION SERVICES
03-117283
AC / FLS / SS / PCL
DATE SEP 13 2018

IDENTIFICATION STAMP
DIV. OF THE STATE ARCHITECT
OFFICE OF REGULATION SERVICES
04 101555
AC / FLS / SS / PCL
DATE SEP 09 1999

SCALE 3/8"=1'

ARCHITECT	ELECTRICAL	STRUCTURAL	MECHANICAL	FIRE MARSHAL	ACCESS/COMPLIANCE	STRUCTURAL SAFETY	3278	© MODTECH INC. 1993	4012-094
							PC	MODTECH INC.	3278
							WALL FRAMING		S4.0