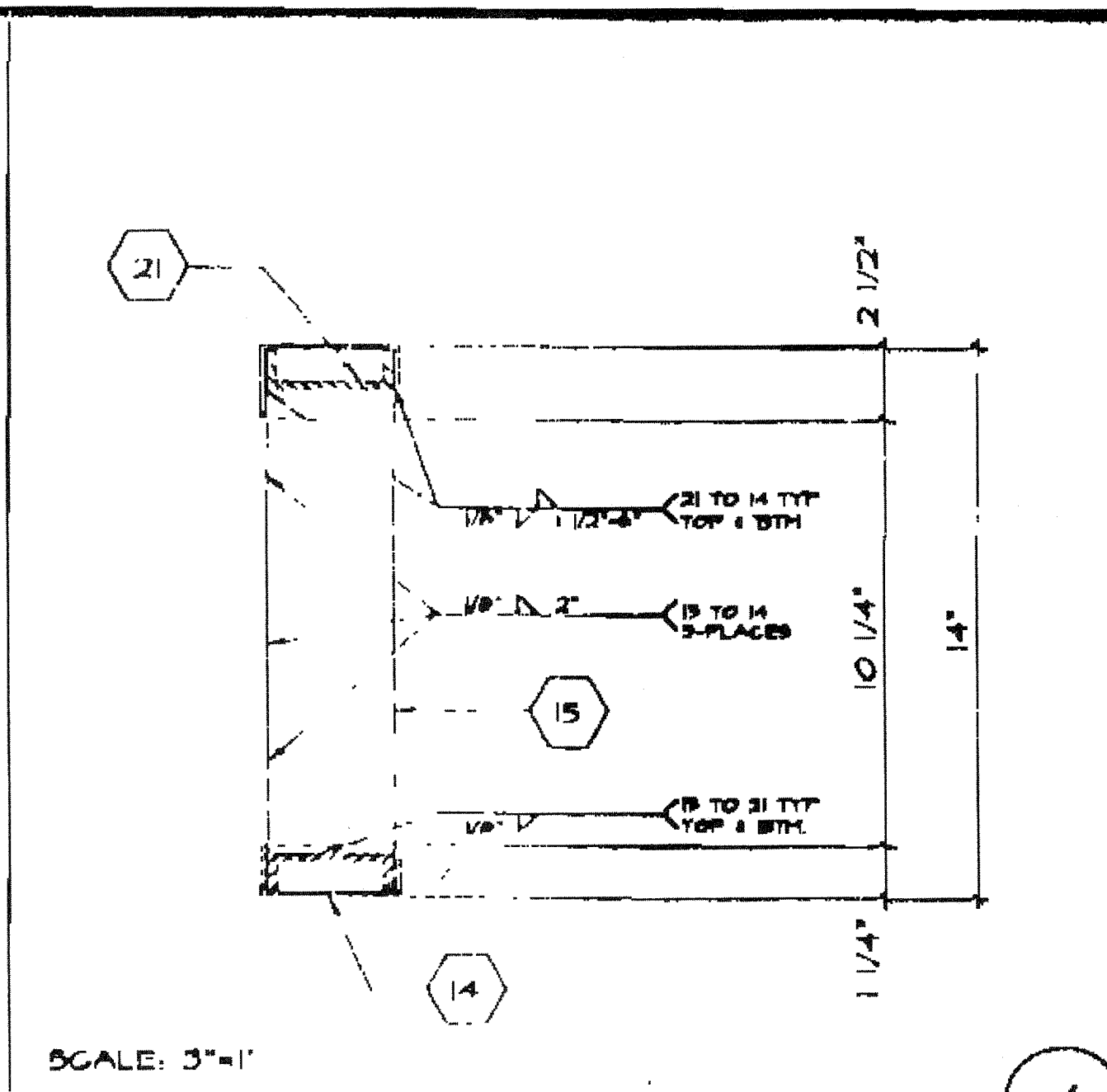
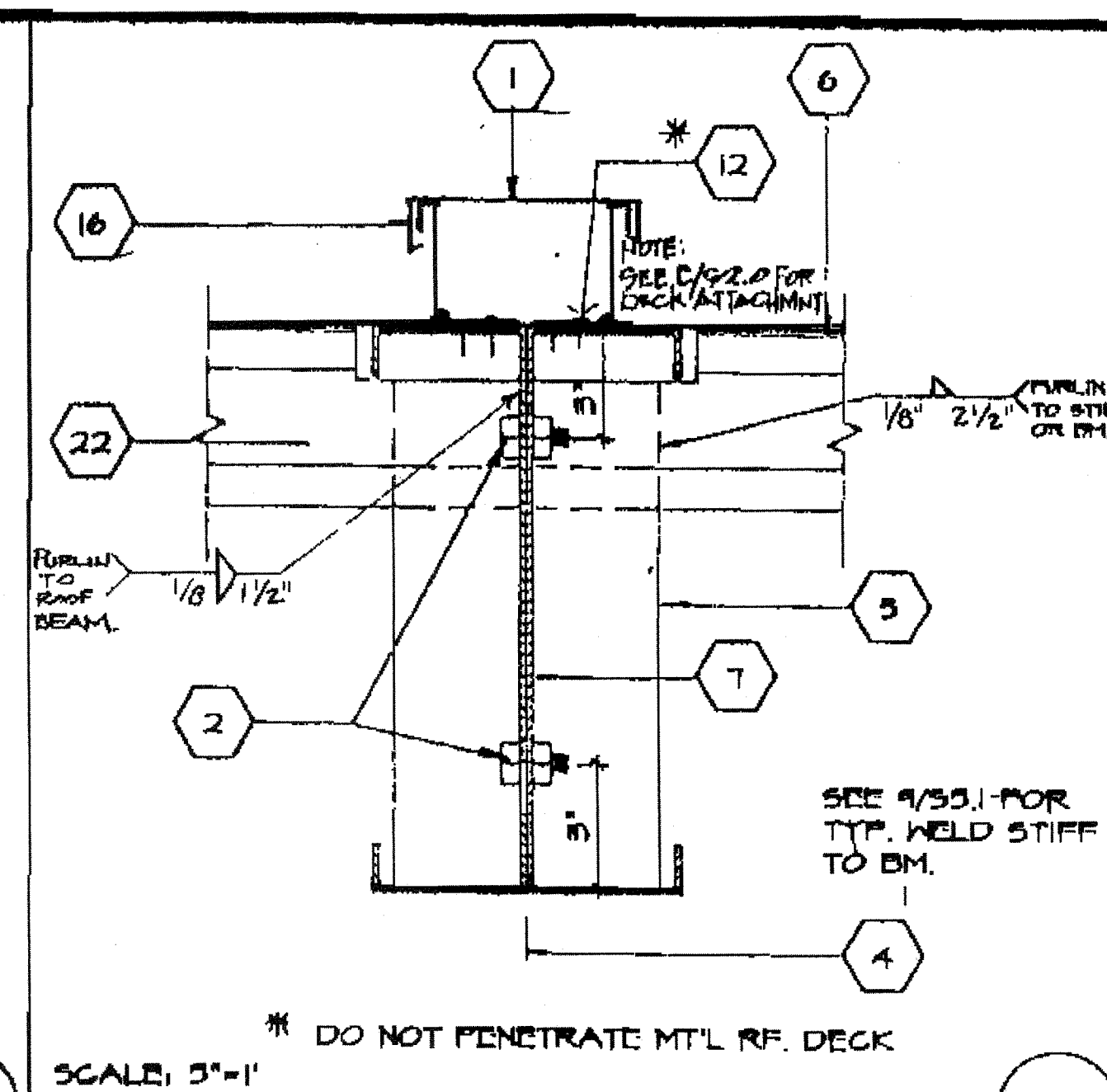


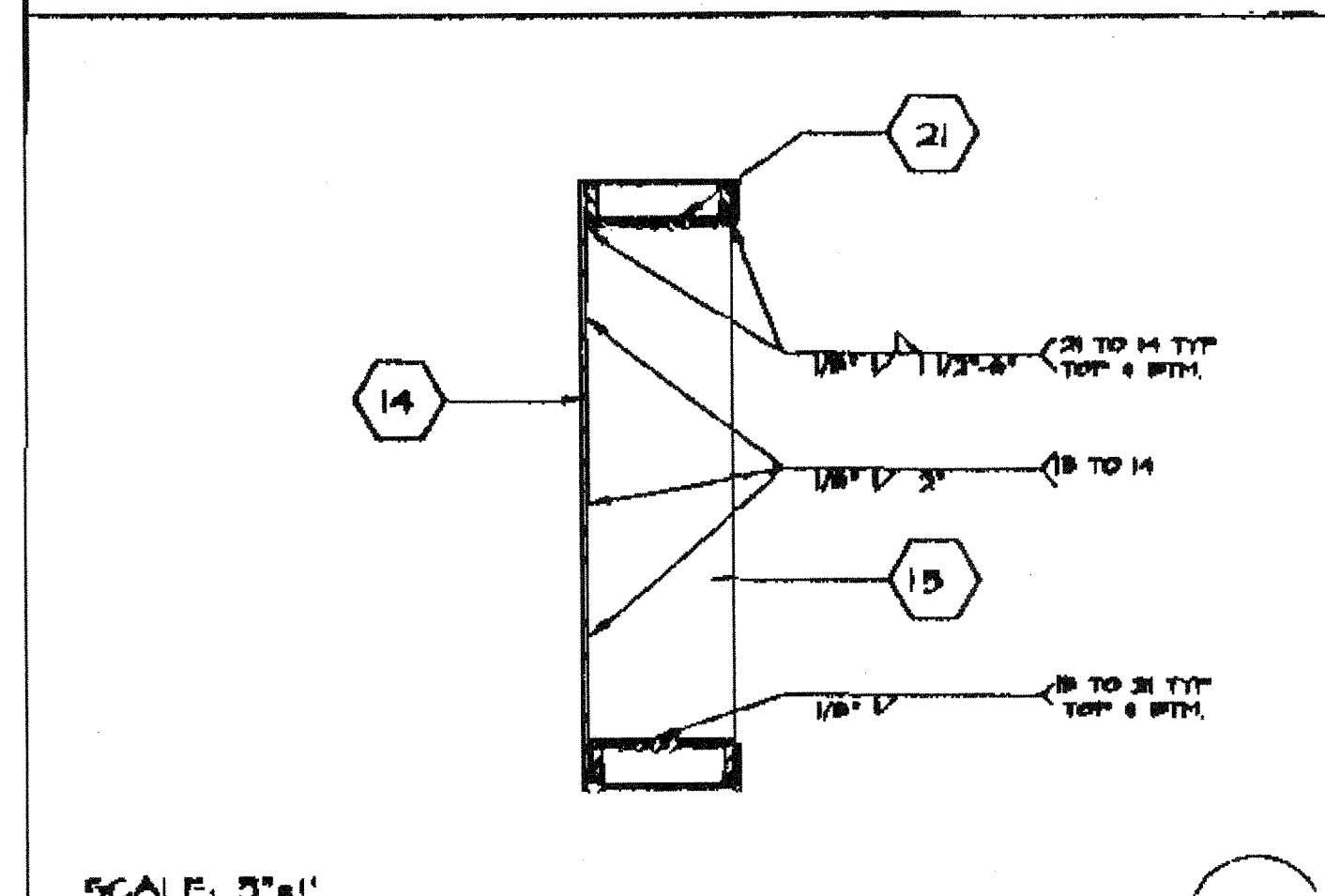
SCALE: 3"=1'
BLOCK @ MIDSPAN



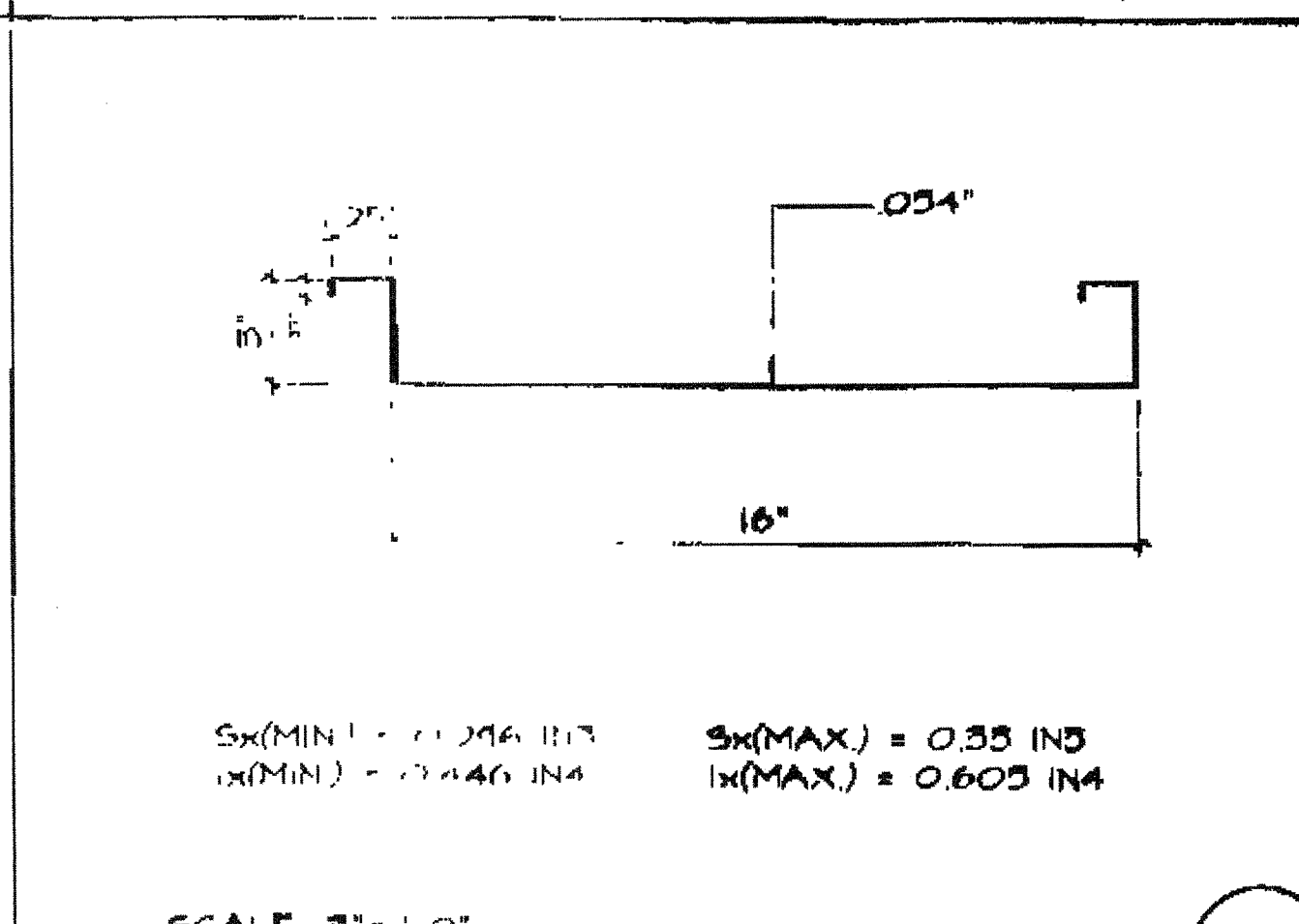
SCALE: 3"=1'
MECH. DUCT OPENING IN HEADER



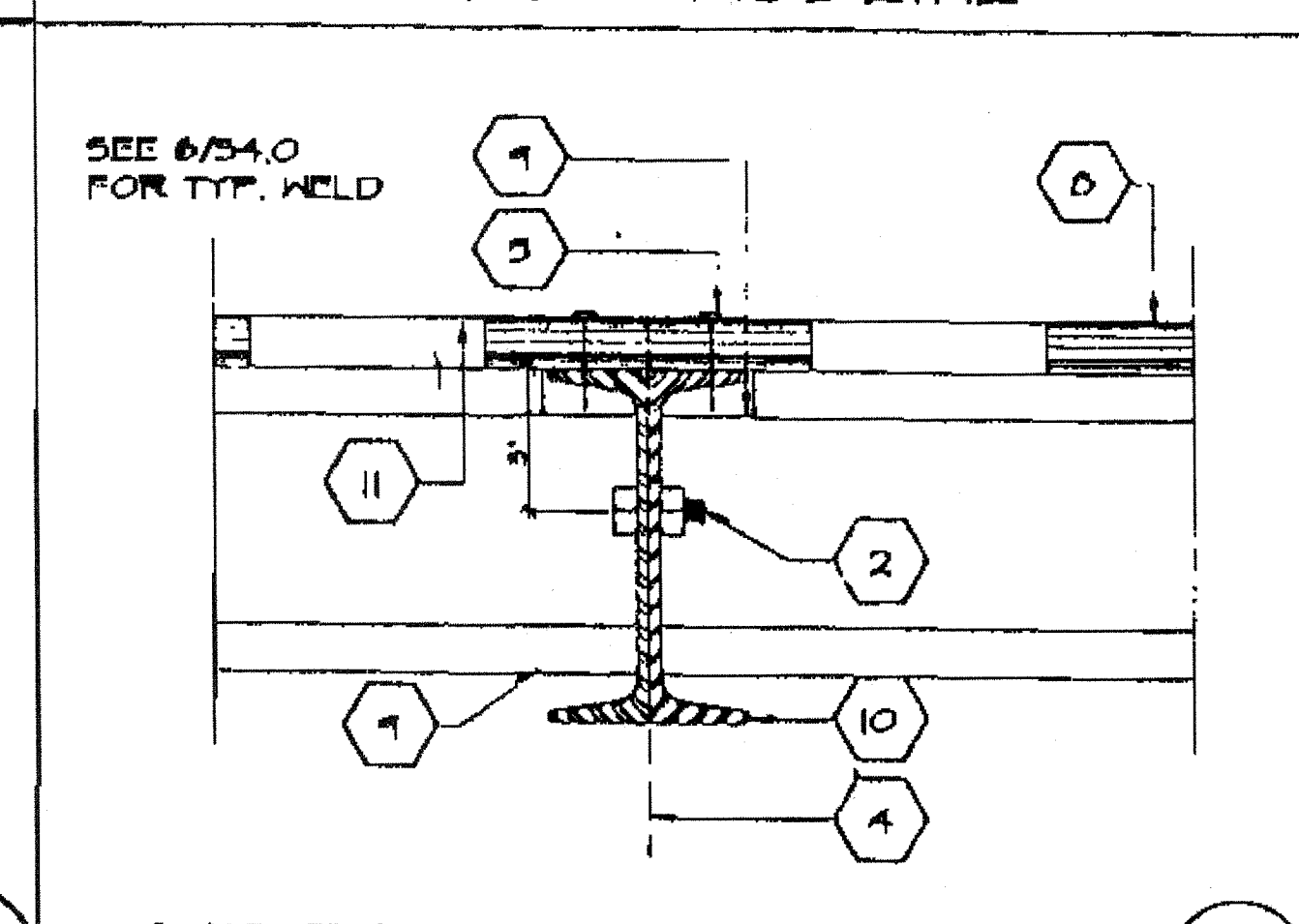
SCALE: 3"=1'
ROOFING @ MODLINE



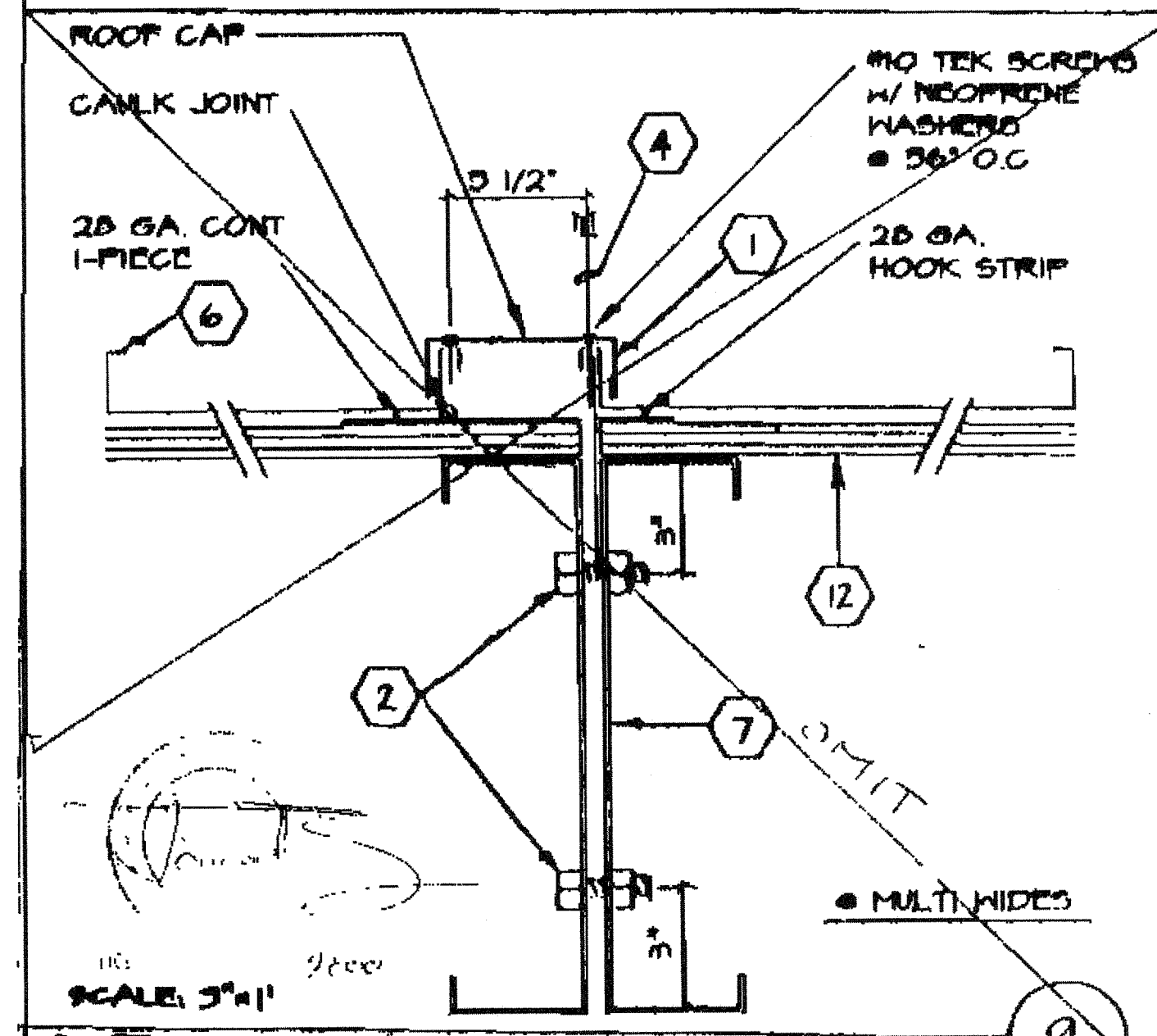
SCALE: 3"=1'
HEADER REINF. @ A.C. OPENING



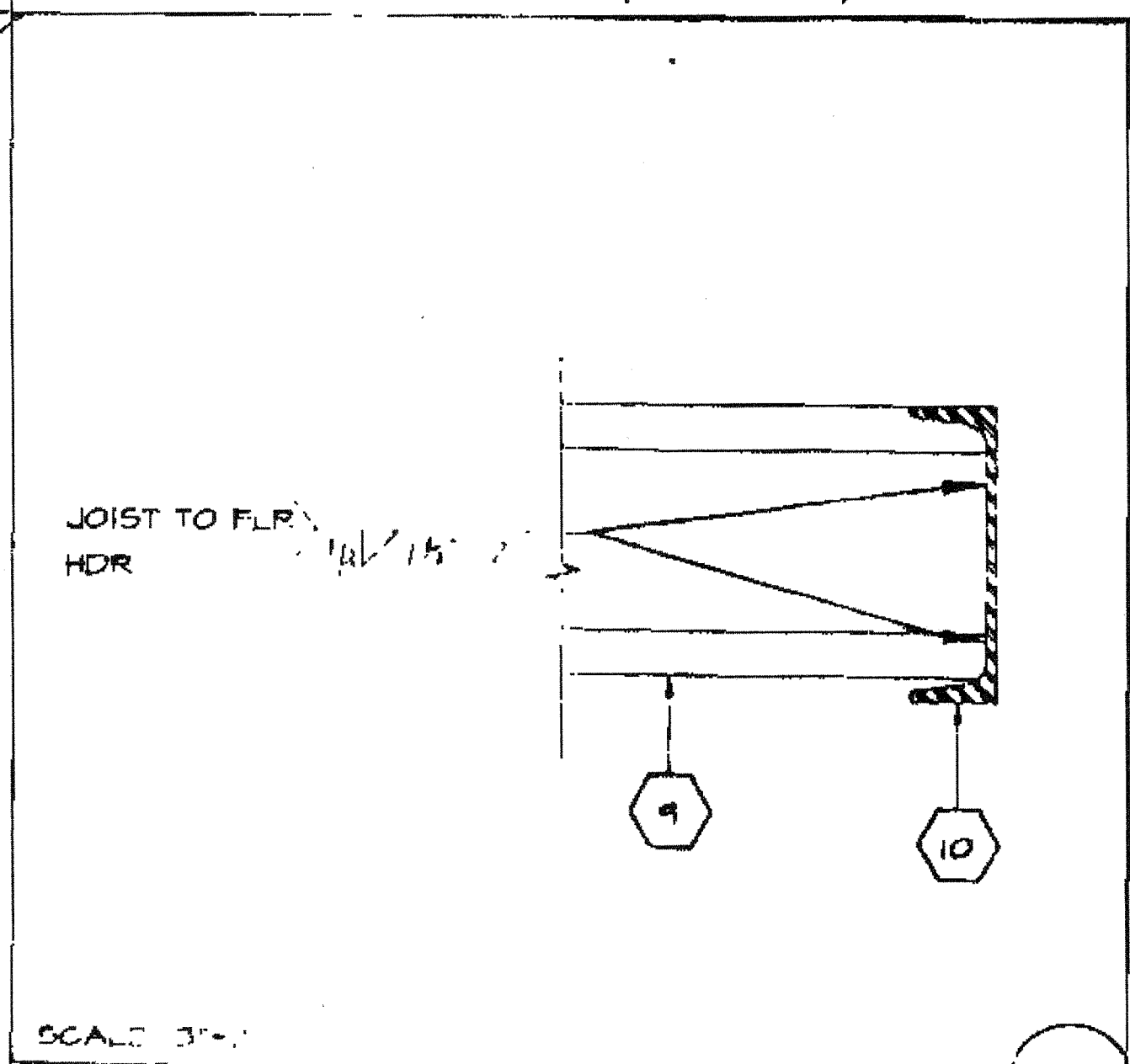
SCALE: 3"=1'
ROOT PAN (22GA.)



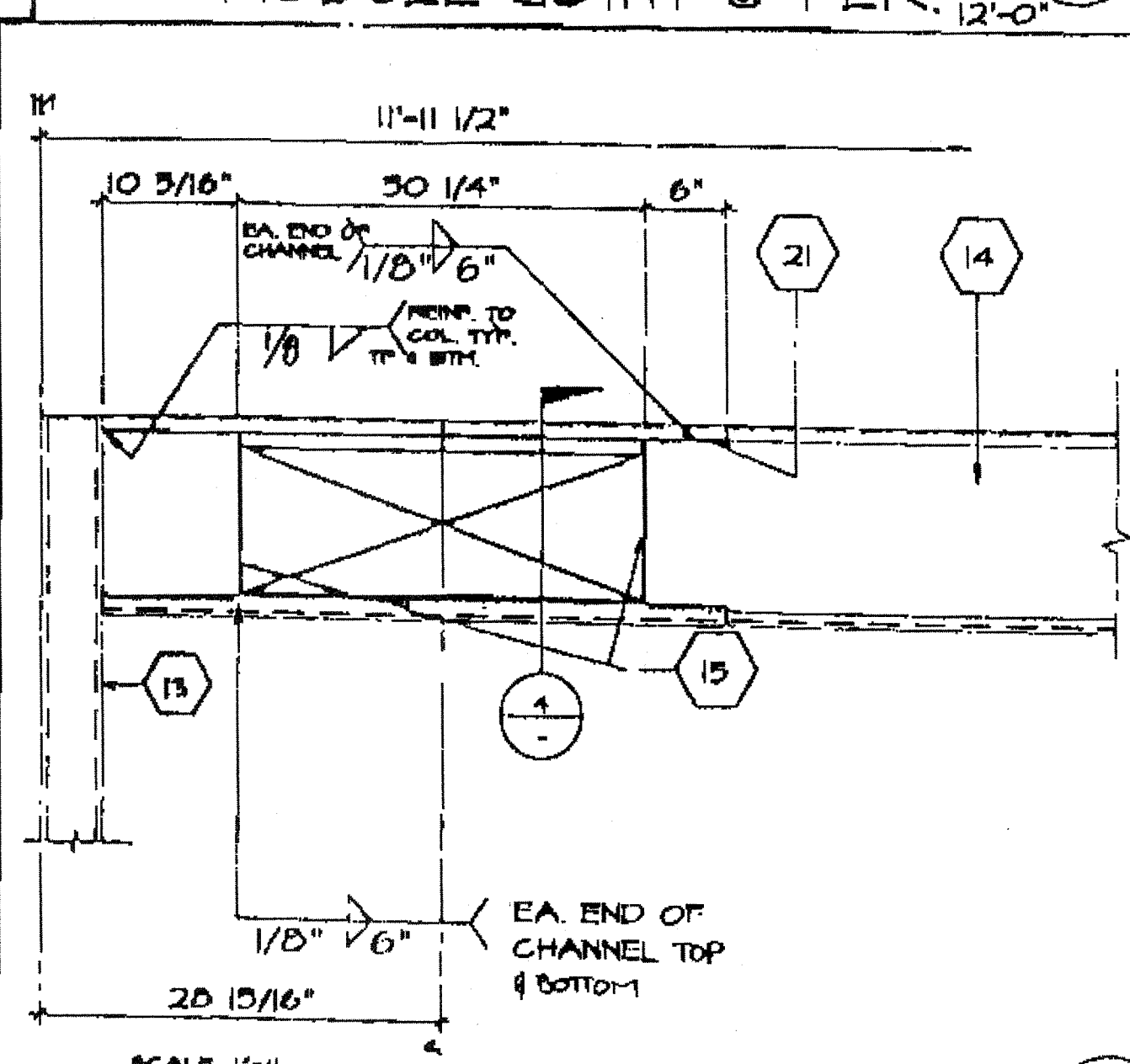
SCALE: 3"=1'
MODULE JOINT @ FLR.



SCALE: 3"=1'
ALT. ROOFING @ MODLINE



SCALE: 3"=1'
FLOOR JOIST TO BEAM



SCALE: 1"=1'
ELEVATION-OPENING

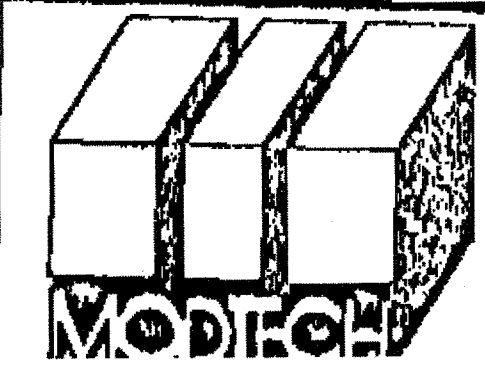
KEY NOTES

- 1 CAP CLOSURE @ MODLINE 26GA. GALV. W/ #10 TYPE FASTENERS W/ NEOPRENE WASHERS TO RID BOTH SIDES OF MODLINE SET CAP IN SEALANT
- 2 5/8" M.B. ABOUT MODULE JOINT (SEE STRUCTURAL PLAN FOR LOCATION) @ 0" O.C.
- 3 EN
- 4 MODULE JOINT
- 5 1/4" @ 0" O.C. FULL DEPTH STIFFENER PLATE (SEE 4/52.1)
- 6 STANDING SEAM ROOF (SEE A2.0)
- 7 ROOF BEAM (SEE STRUCTURAL) SEE 3/52.1 & 12/52.1
- 8 PLYWOOD FLOOR SHEATHING
- 9 FLOOR JOIST 6/52.1
- 10 FLOOR BEAM (SEE STRUCTURAL 5/52.1)
- 11 HAND-HOLE @ BOLT LOCATION
- 12 #14 STMS
- 13 3 1/2"X3 1/2"X1/4" STEEL TUBE COLUMN
- 14 ROOF HEADER (SEE STRUCTURAL 1/52.1)
- 15 1/4" STIFFENER PLATE SEE 4/52.1 FOR TYP. WELD
- 16 CAP CLOSURE AT RIDGE 26GA. GALV. W/ #10 STMS AT 48" O.C. W/ NEOPRENE WASHER TO RID SET BOTH SIDES OF CAP IN SEALANT
- 17 NOT USED
- 18 NOT USED
- 19 NOT USED
- 20 2"X2"X3/16" L
- 21 3 1/4"X1"X45 1/16" LX106A CHANNEL TOP & BOTTOM CENTER OF OPENING
- 22 ROOF FURLIN SEE 2/52.1
- 23 TUBE STEEL (SEE NOTE #13)

IDENTIFICATION STAMP
DIV. OF THE STATE ARCHITECT
APP#3 117168
AC/FLS/SS/JH
Date AUG 04 2016

DESIGNED BY
OFFICE NO.
DATE DEC 11 1996

ARCHITECT	ELECTRICAL	STRUCTURAL	MECHANICAL	FIRE MARSHAL	ACCESS COMPLIANCE	STRUCTURAL SAFETY



© MODTECH INC. 1994
DRAWN BY
DATE
CHECKED BY
DATE