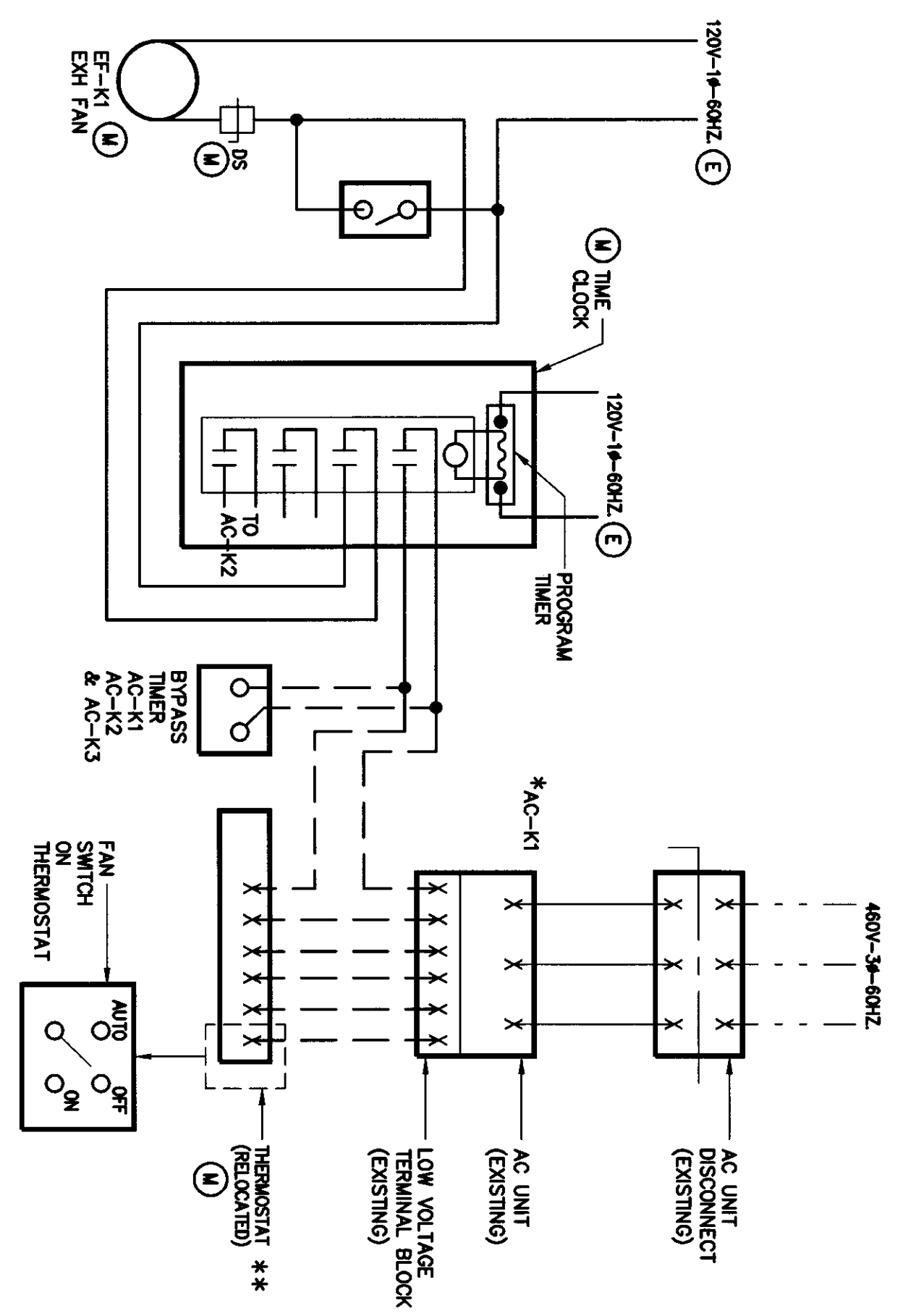
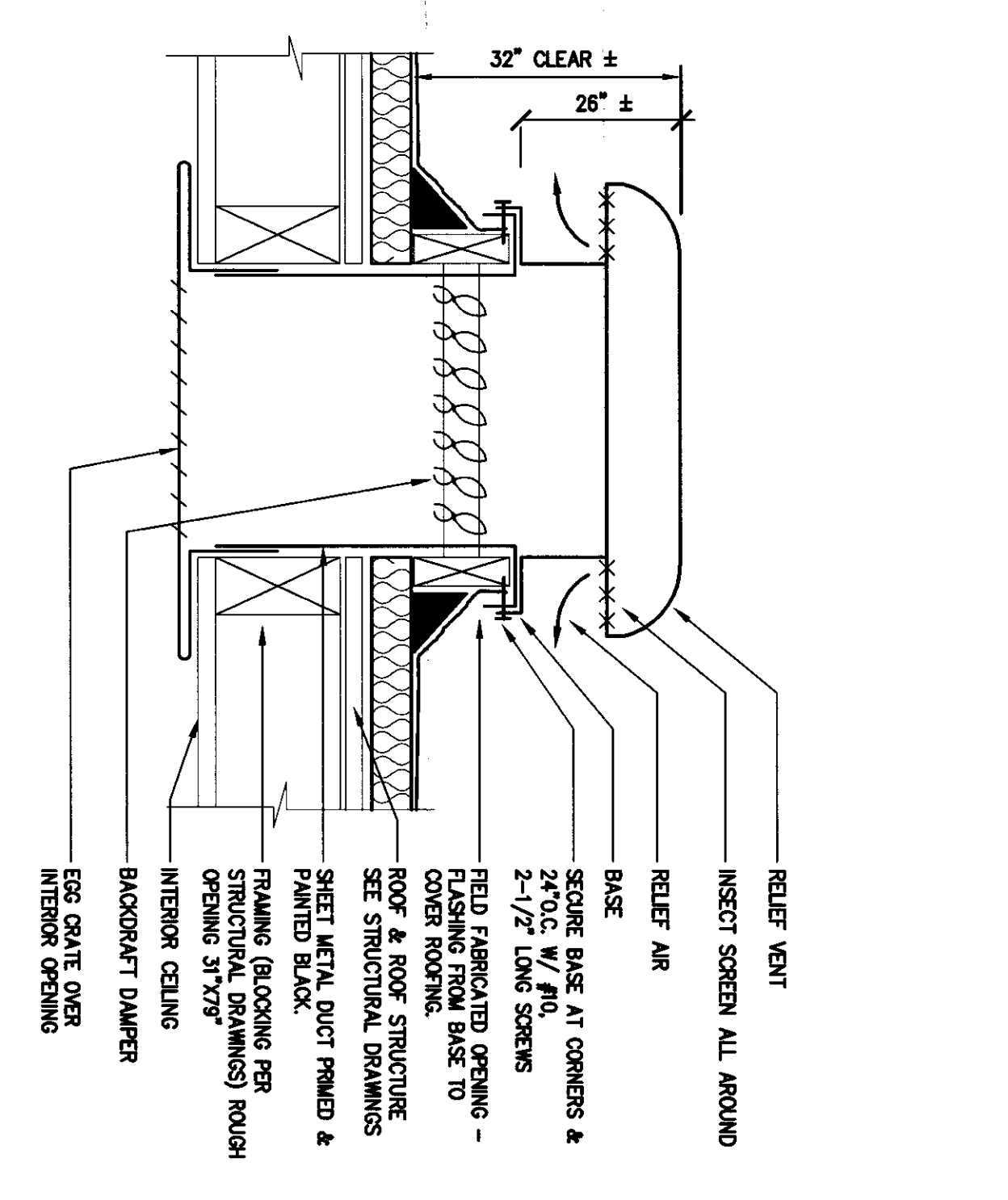


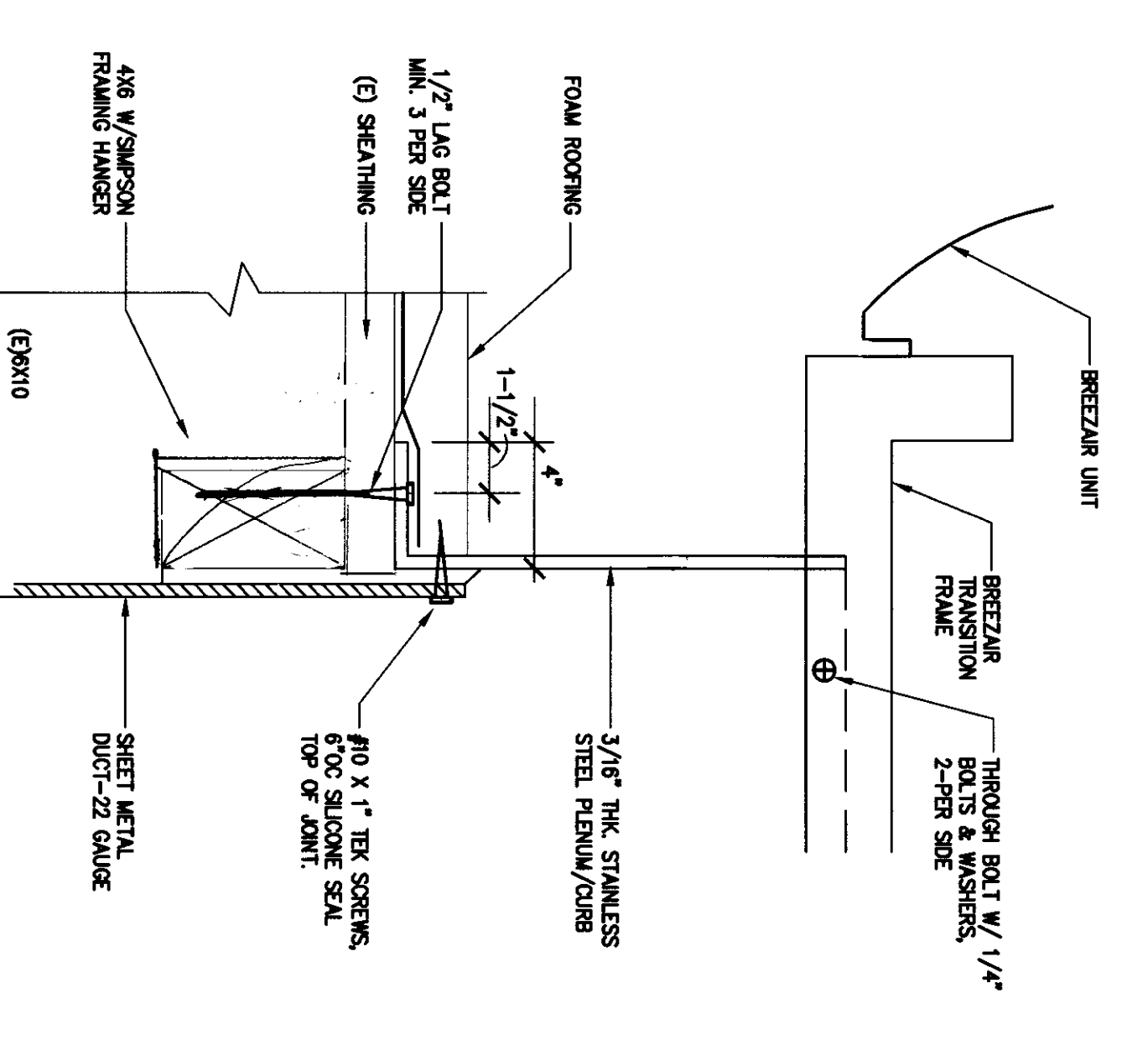
EVAPORATIVE COOLER INSTALLATION DETAIL
SCALE: N.T.S.



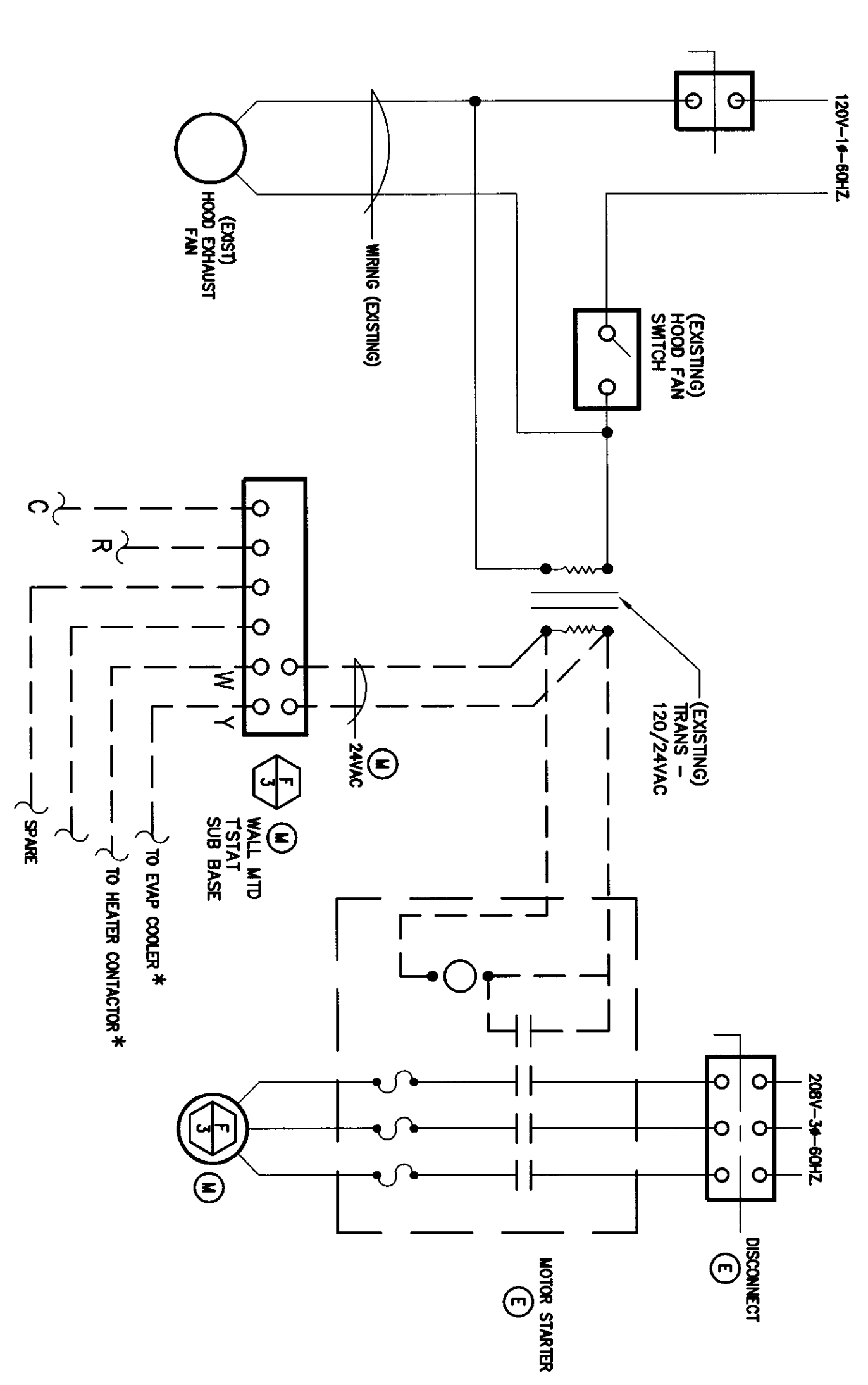
CONTROL SCHEMATIC
SCALE: N.T.S.



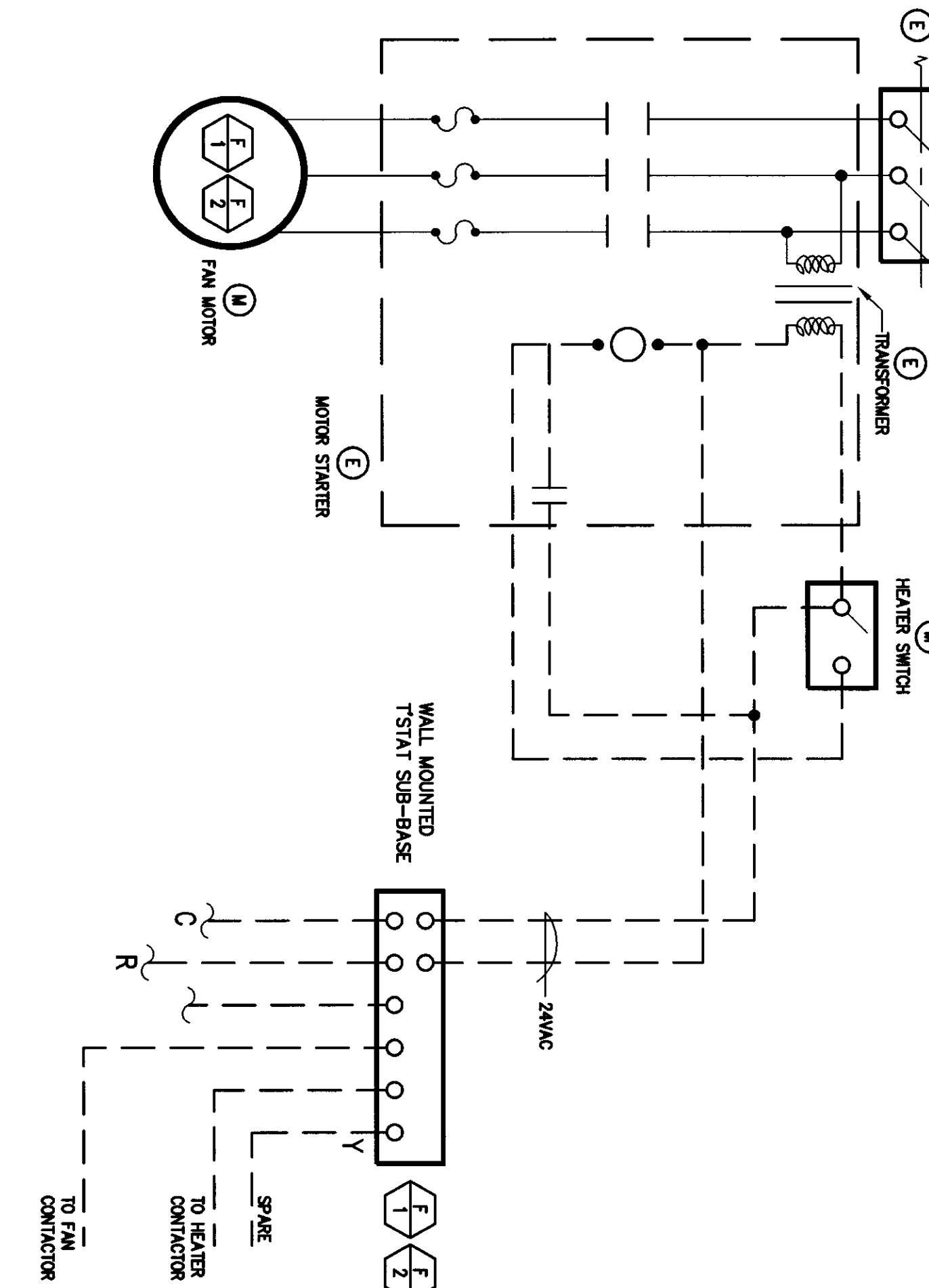
RELIEF VENT DETAIL
SCALE: N.T.S.



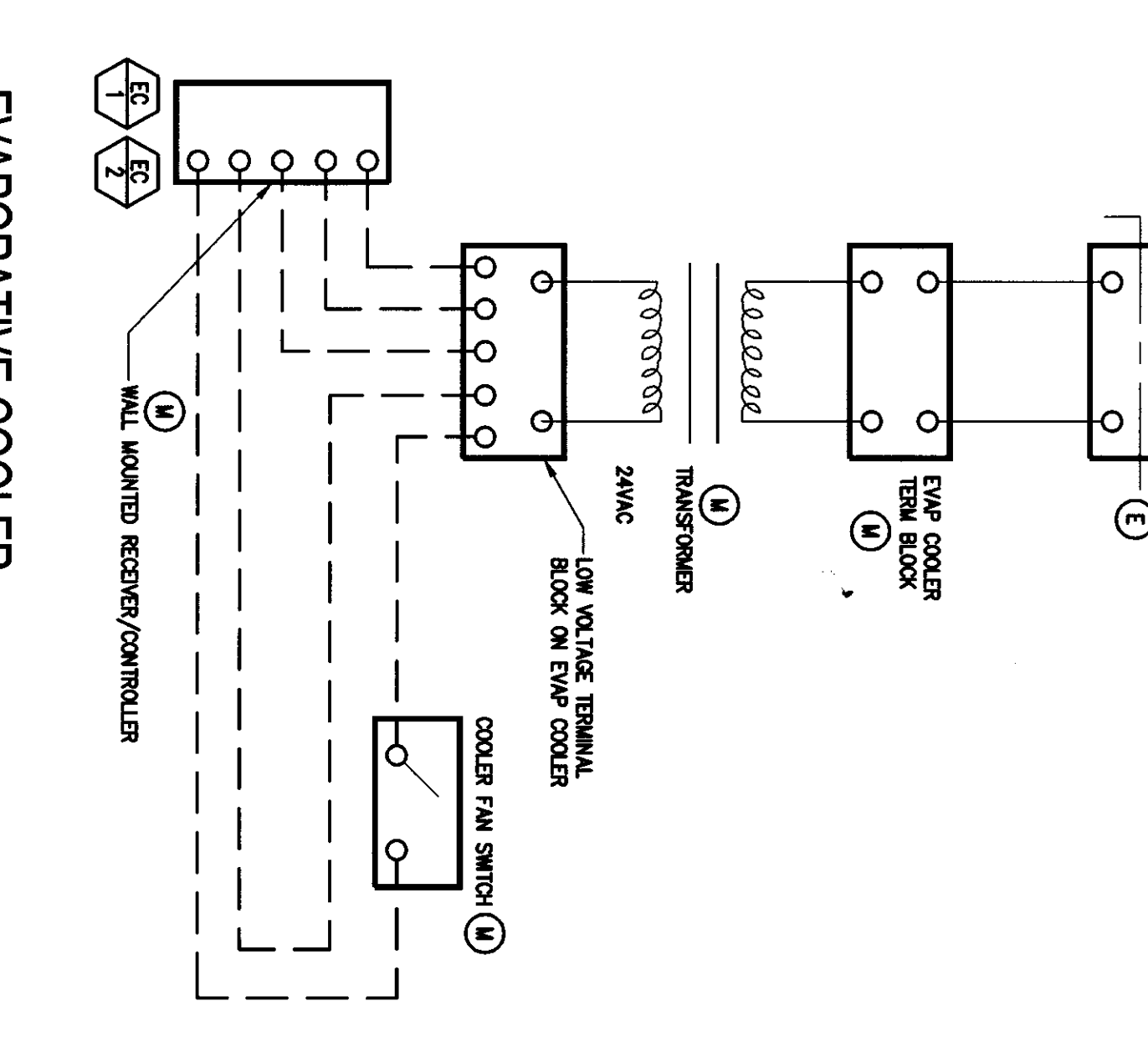
EVAP COOLER FRAME DETAIL
SCALE: N.T.S.



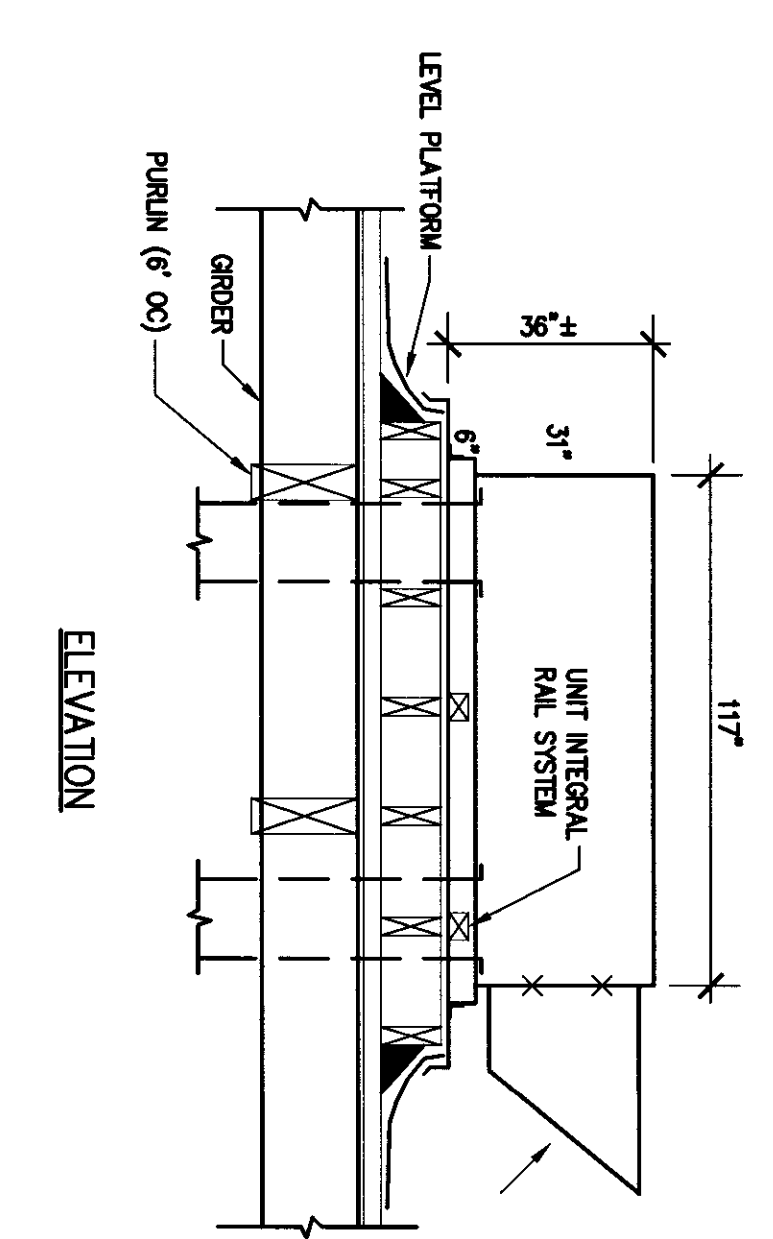
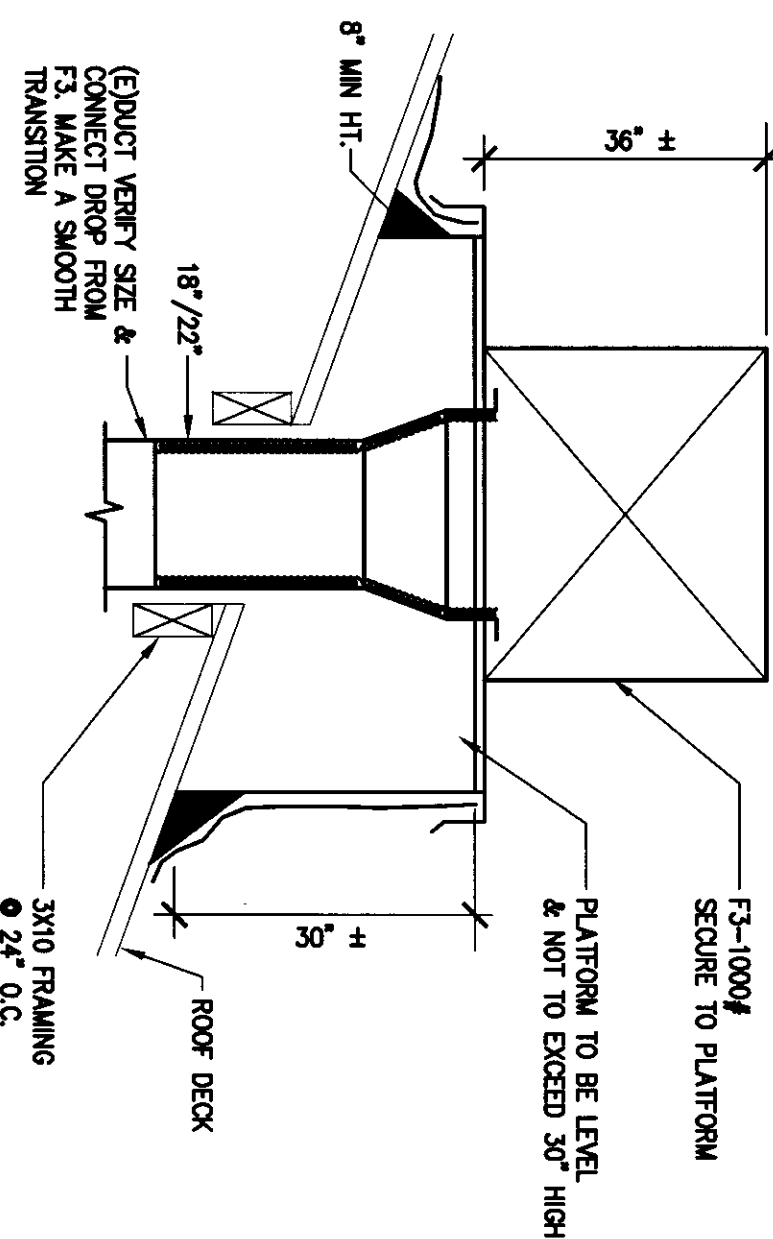
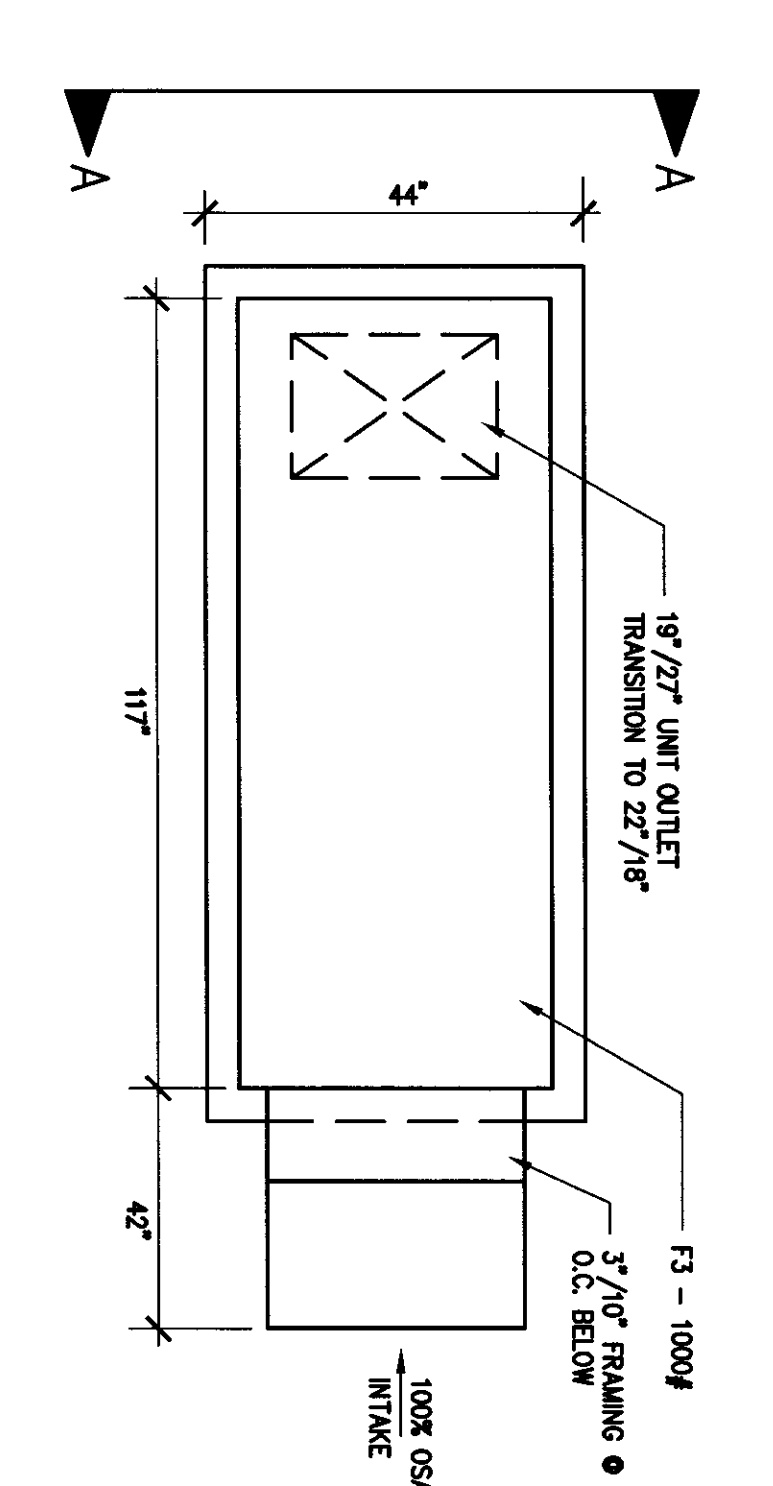
HOOD MUA UNIT SCHEMATIC
SCALE: N.T.S.



HEATER CONTROL SCHEMATIC
SCALE: N.T.S.

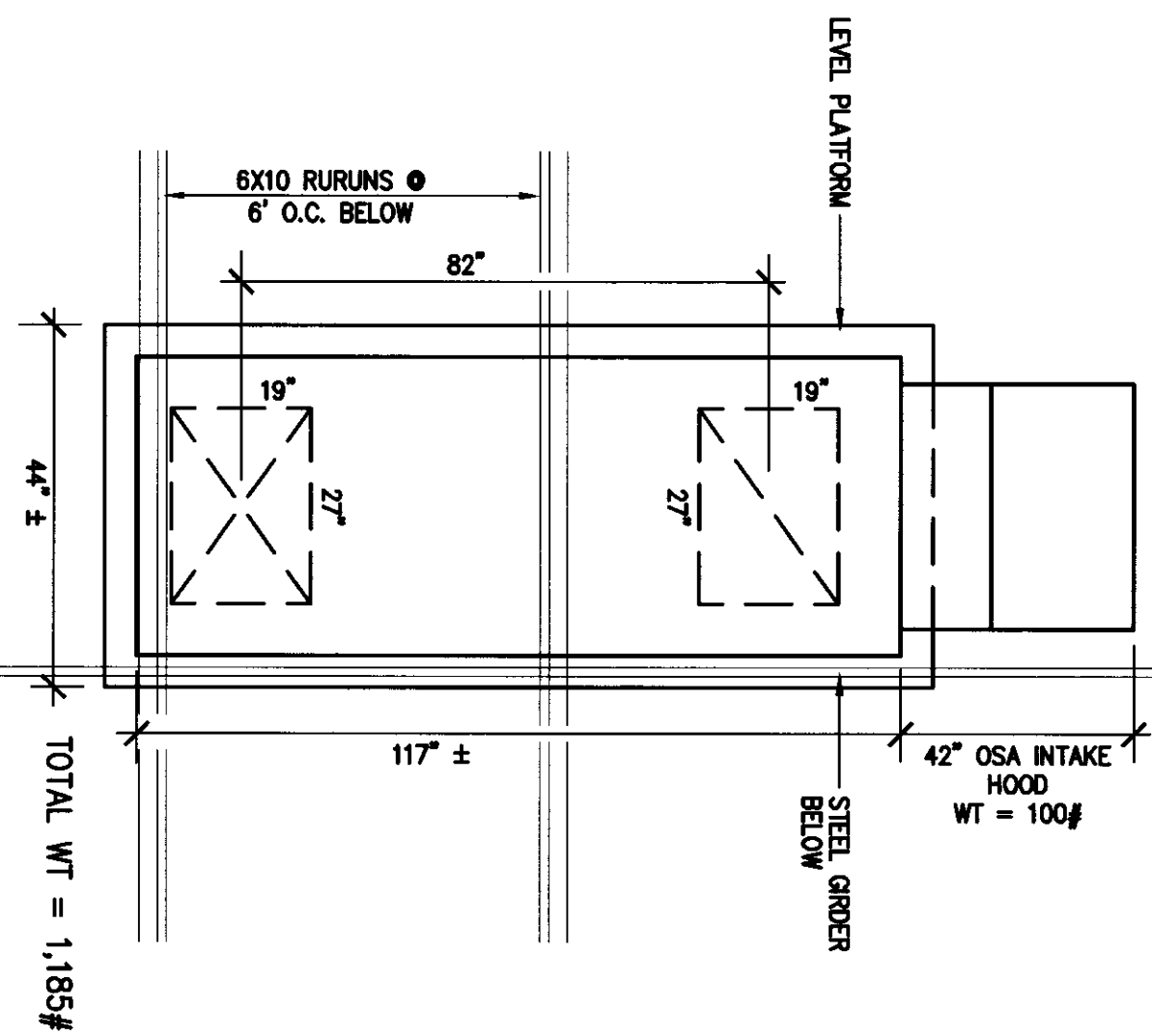


EVAPORATIVE COOLER CONTROL SCHEMATIC
SCALE: N.T.S.



PLAN F3 ON PITCHED ROOF
SCALE: N.T.S.

F-1, F-2 - PLAN
SCALE: N.T.S.



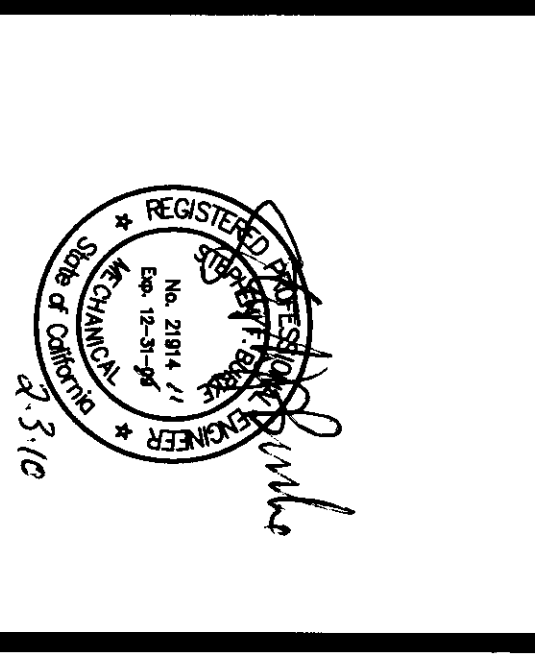
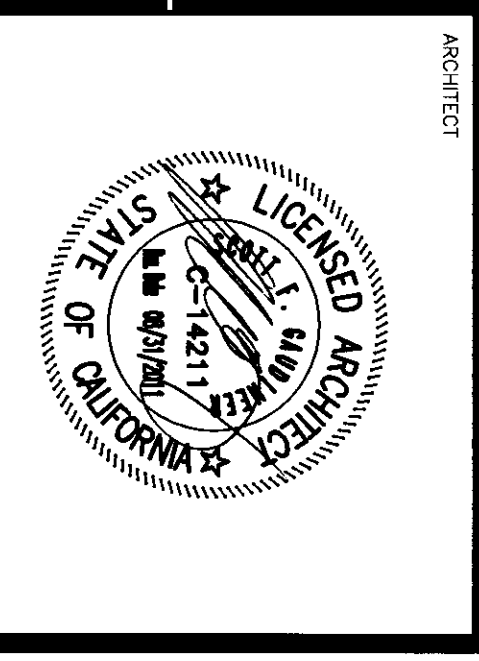
SCALE: N.T.S.

FLEWELLING & MOODY
architects fabrication

HEADQUARTERS OFFICE:
41 South La Brea, Suite 100
Los Angeles, CA 90048
TEL: 310.461.4477 FAX: 310.461.4477
EMAIL: flewelling@flewellingmoody.com

ANTELOPE VALLEY OFFICE:
1001 West Lancaster Boulevard
Lancaster, CA 93533
TEL: 805.941.7777 FAX: 805.941.2343
EMAIL: antelopevalley@flewellingmoody.com

An Employee Owned Corporation



AGENCY:
IDENTIFICATION STAMP
DIV. OF THE STATE ARCHITECT
APPROVED 11.8.17
DATE: 11/8/17

Drawn by: MA
Checked by: SB
No. 100
Date: 1-28-2010

MORSEBEN ELEMENTARY SCHOOL AT EVERGREEN ELEMENTARY SCHOOL
2000 STREET, SUITE 1000
DANVERS, ILL. CA 95939

BANERFIELD CITY SCHOOL DISTRICT

MECHANICAL DETAILS

Job No. 1904
Date: 1-28-2010
M3.01