

MODULAR MANUFACTURER PROPRIETARY STATEMENT

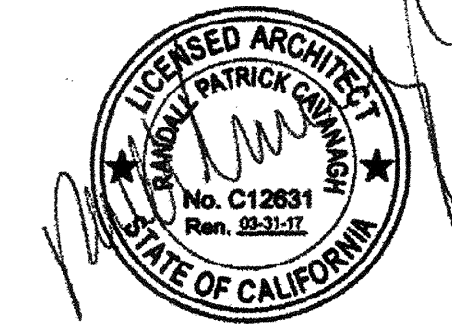
THESE DRAWINGS AND THE MATERIAL CONTAINED THEREIN ARE THE PROPERTY OF AMERICAN MODULAR SYSTEMS, INC. (AMS) AND SHALL NOT BE REPRODUCED, COPIED OR OTHERWISE DISPOSED OF DIRECTLY OR INDIRECTLY AND SHALL NOT BE USED IN WHOLE OR IN PART TO ASSIST IN THE MAKING OF OR FOR THE PURPOSE OF FURNISHING ANY INFORMATION FOR THE MAKING OF DRAWINGS, PRINTS, APPARATUS OR PARTS THEREOF WITHOUT THE FULL KNOWLEDGE AND WRITTEN CONSENT OF AMS. ALL PATENTABLE MATERIAL CONTAINED HEREIN AND ORIGINATING WITH AMS SHALL BE THE SOLE PROPERTY OF AMS.

PRE-CHECKED SET NAME
24' x 40' THRU 120' x 40'
2:12 PITCHED ROOF

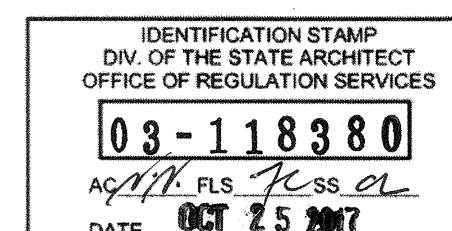
SITE SPECIFIC PROJECT NAME

SHEET TITLE
MISCELLANEOUS ARCHITECTURAL DETAILS

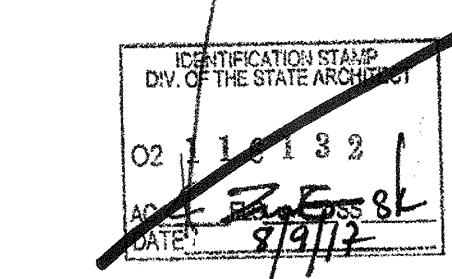
MANUFACTURER PROFESSIONAL OF RECORD ON PC



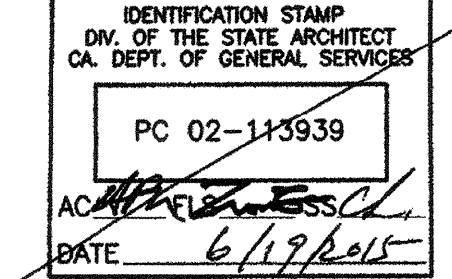
AGENCY TRACKING NO. 63321-241
FILE NO. 15-6



PROJECT SPECIFIC STATE AGENCY APPROVAL



ORIGINAL PC STATE AGENCY APPROVAL



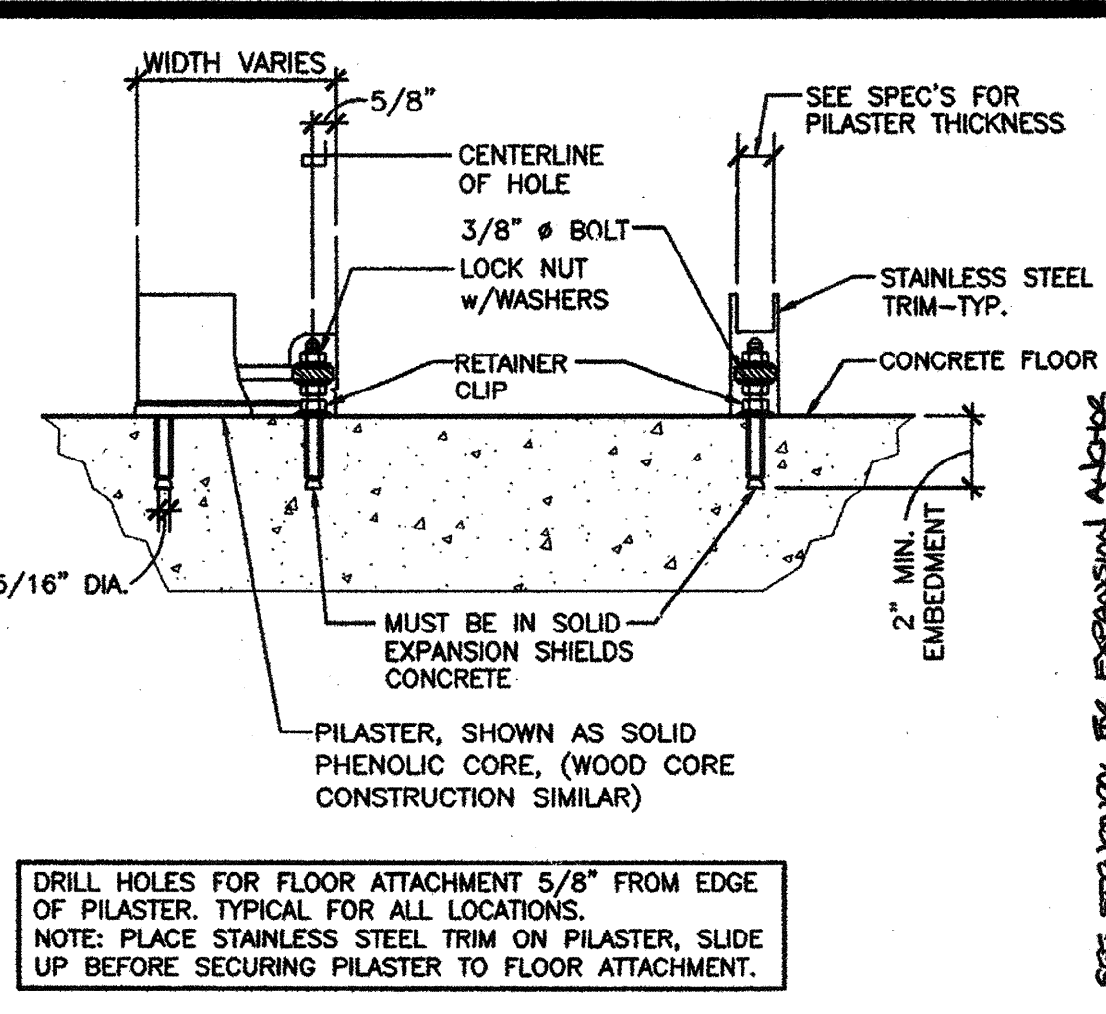
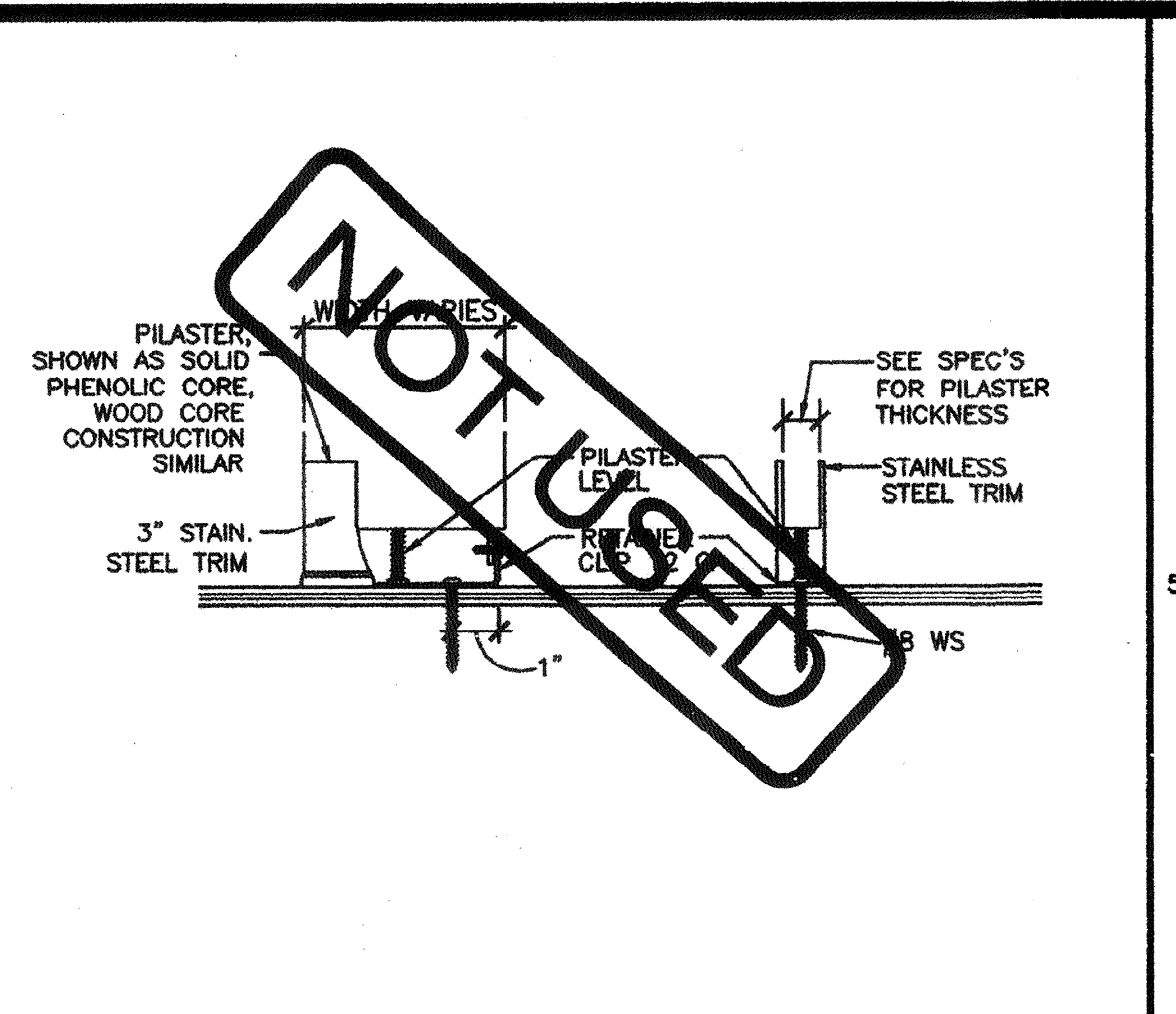
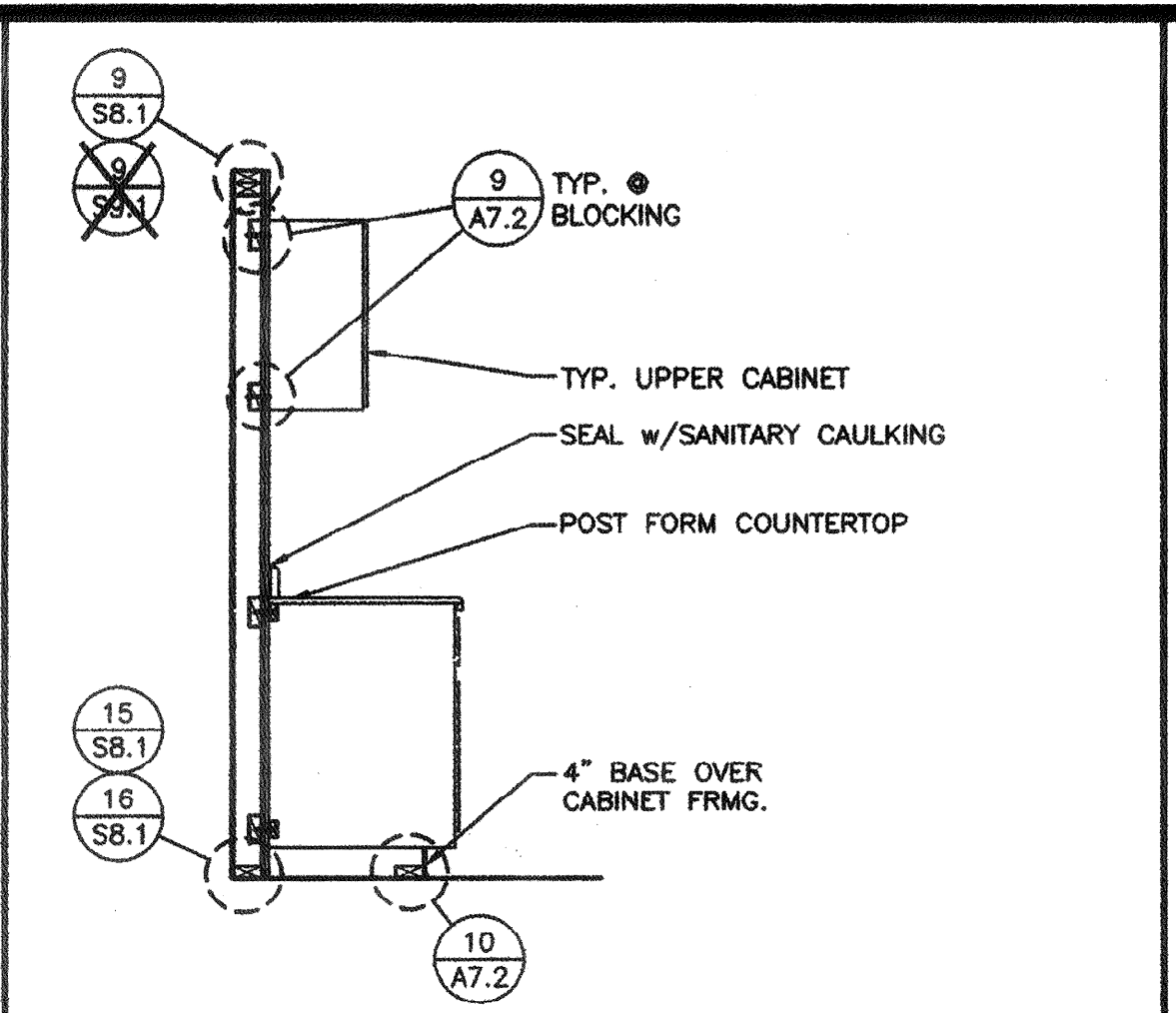
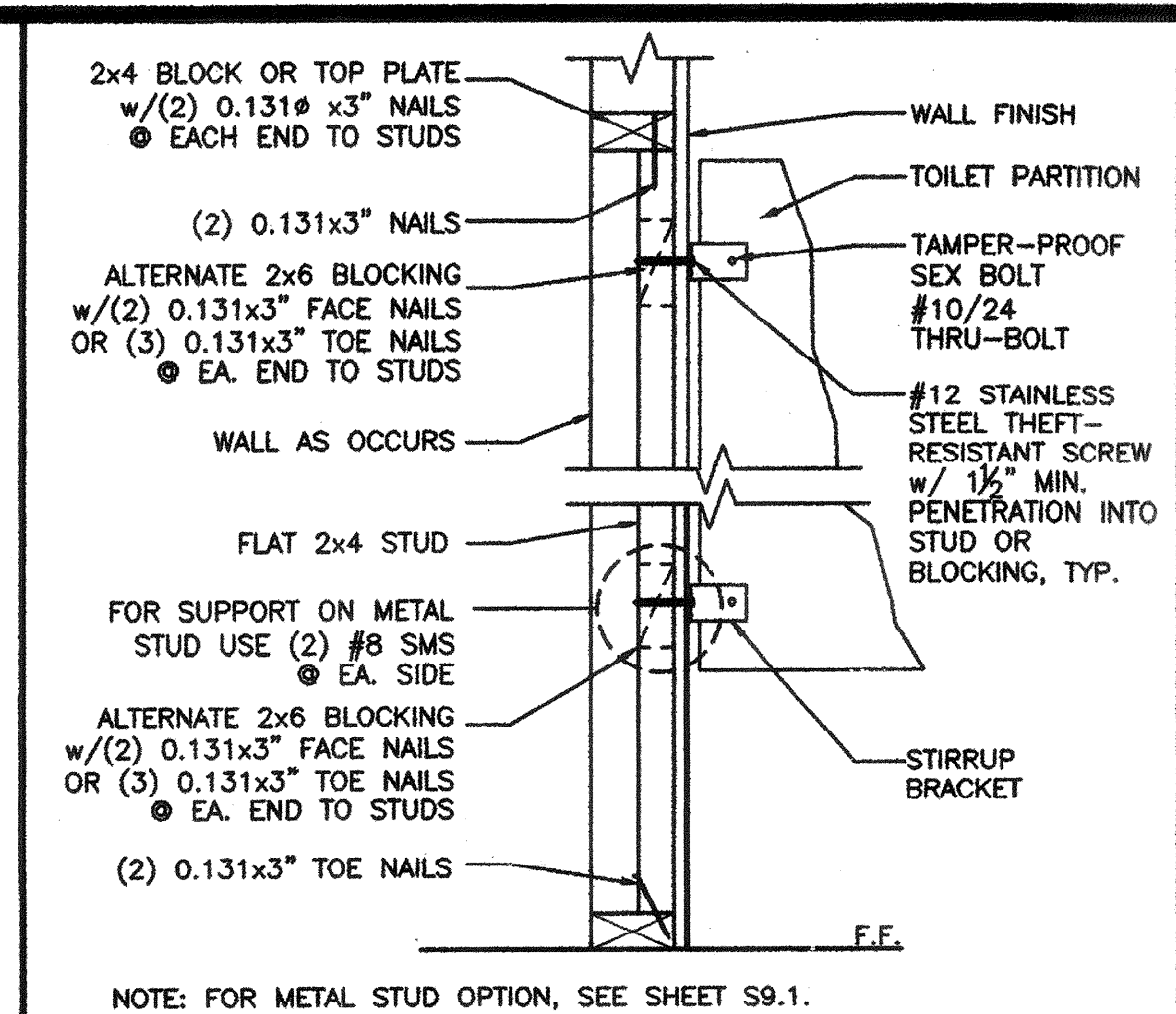
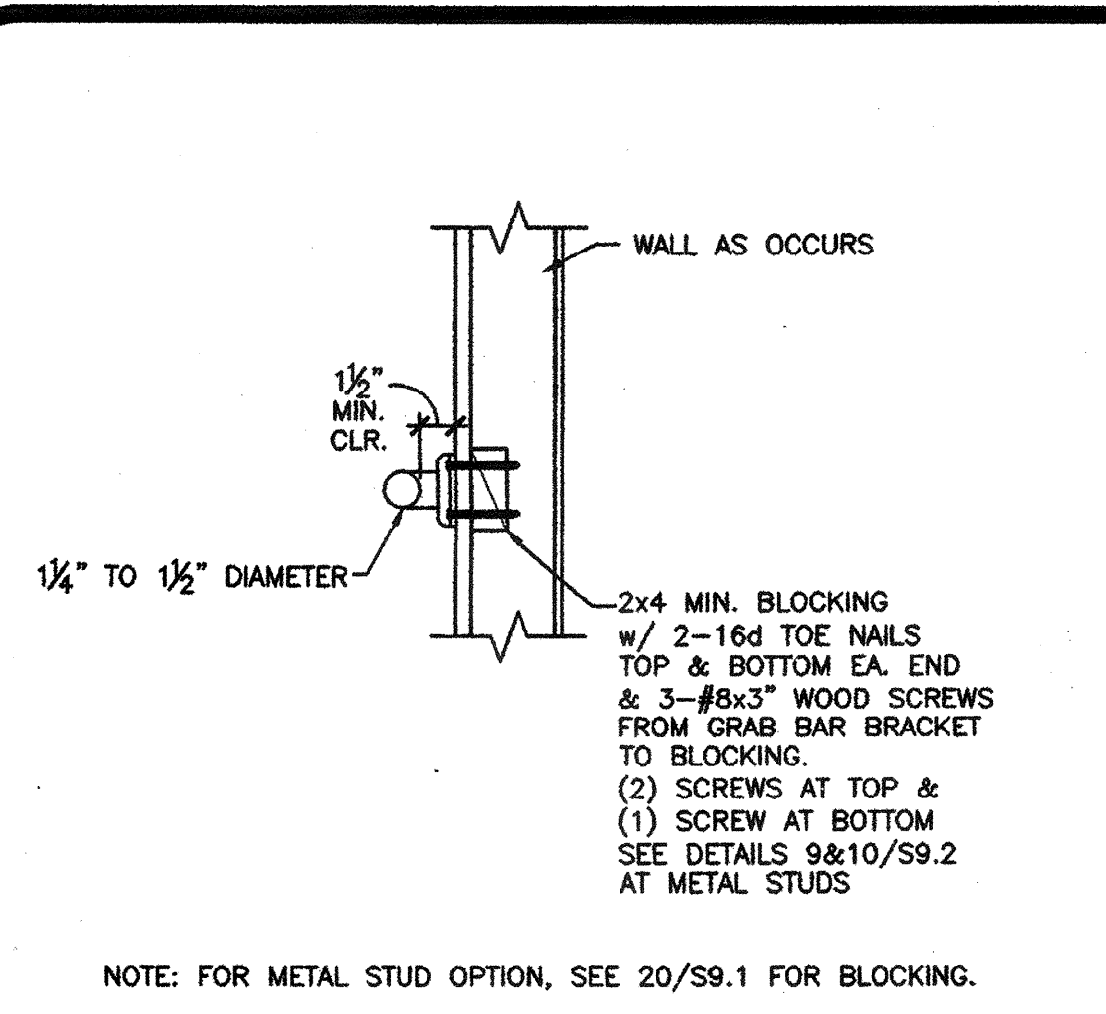
PRE-CHECK (PC) DOCUMENT - CODE: 2013 CBC
A SEPARATE PROJECT APPLICATION FOR CONSTRUCTION IS REQUIRED

REVISIONS

DRAWN BY: AS NOTED
SCALE: AS NOTED
DATE: 6/19/2015

SHEET NUMBER

A7.2



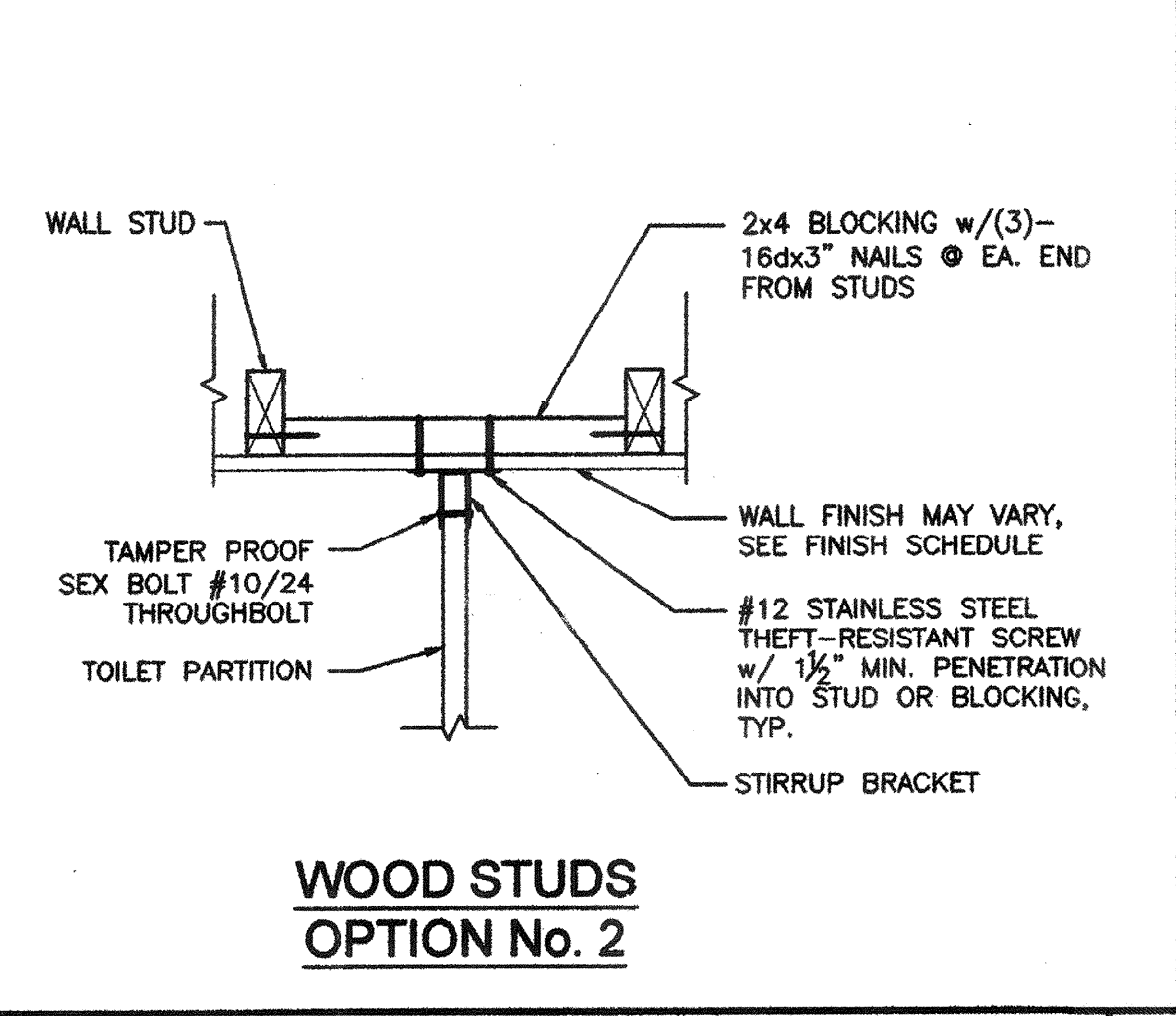
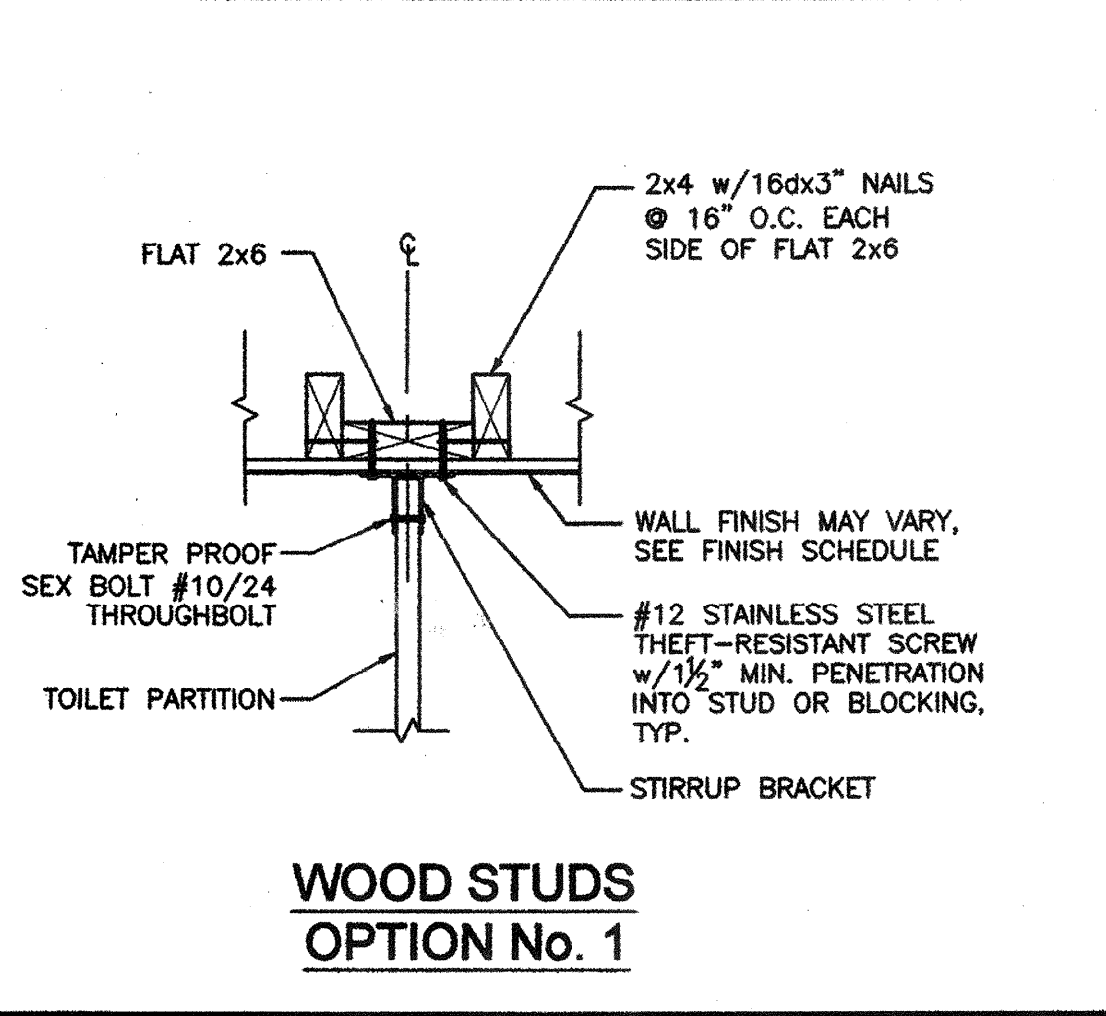
GRAB BAR BLOCKING DETAIL SCALE: 1/2"=1'-0"

TOILET PARTITION WALL BLOCKING SCALE: N.T.S.

CABINET BLOCKING DETAIL SCALE: N.T.S.

TOILET PARTITION FLOOR BLOCKING WOOD FLOOR SCALE: N.T.S.

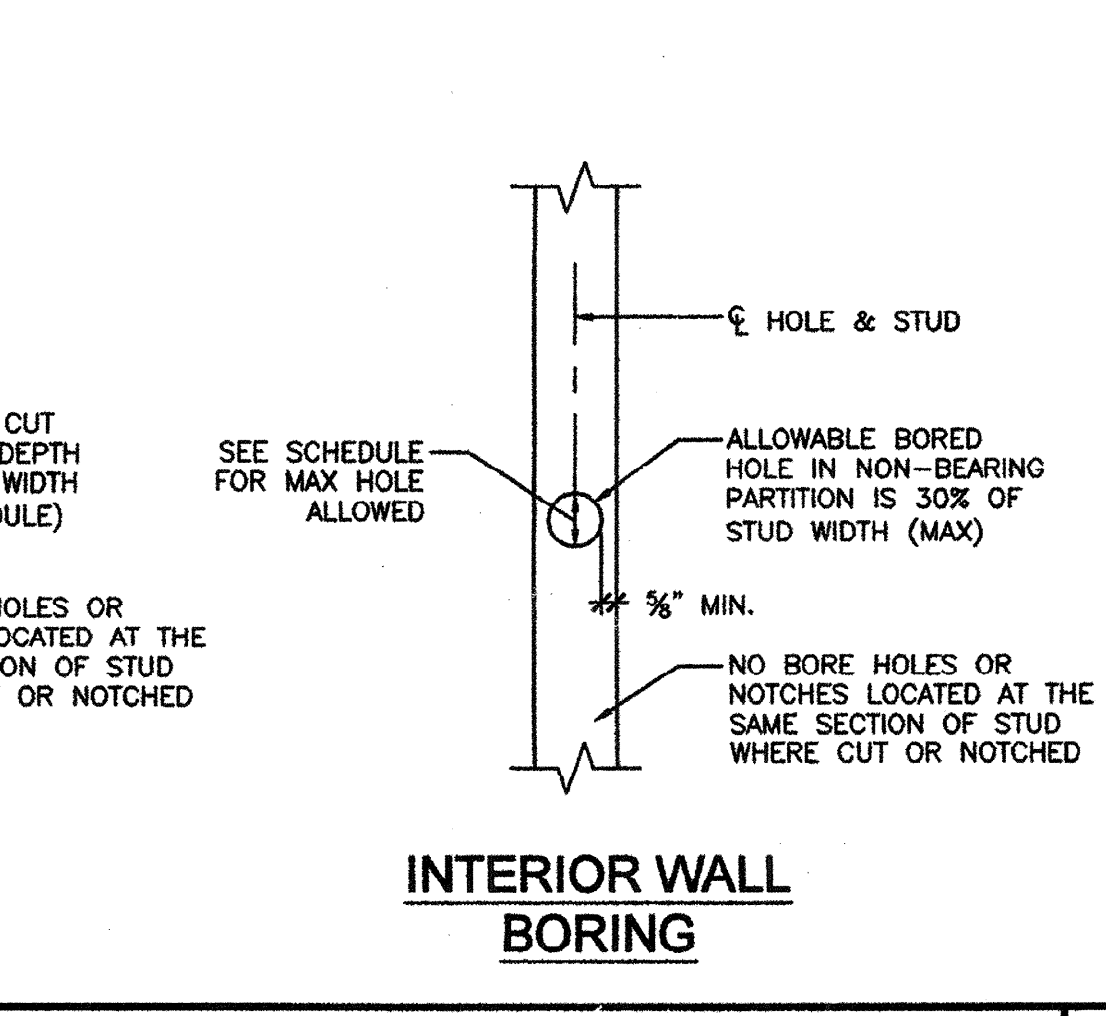
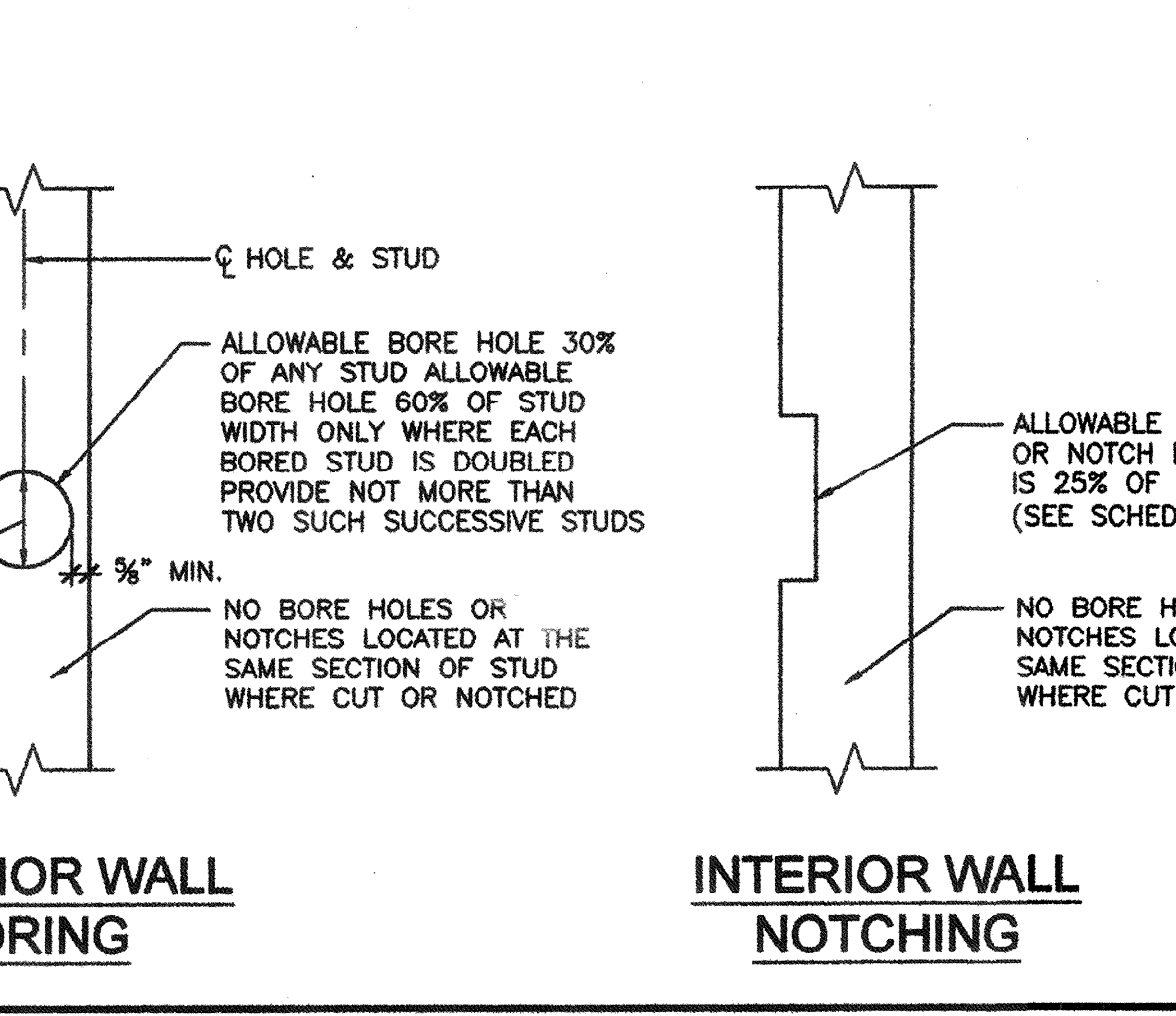
TOILET PARTITION FLOOR BLOCKING CONCRETE FLOOR SCALE: N.T.S.



NOTCH & BORING SCHEDULE

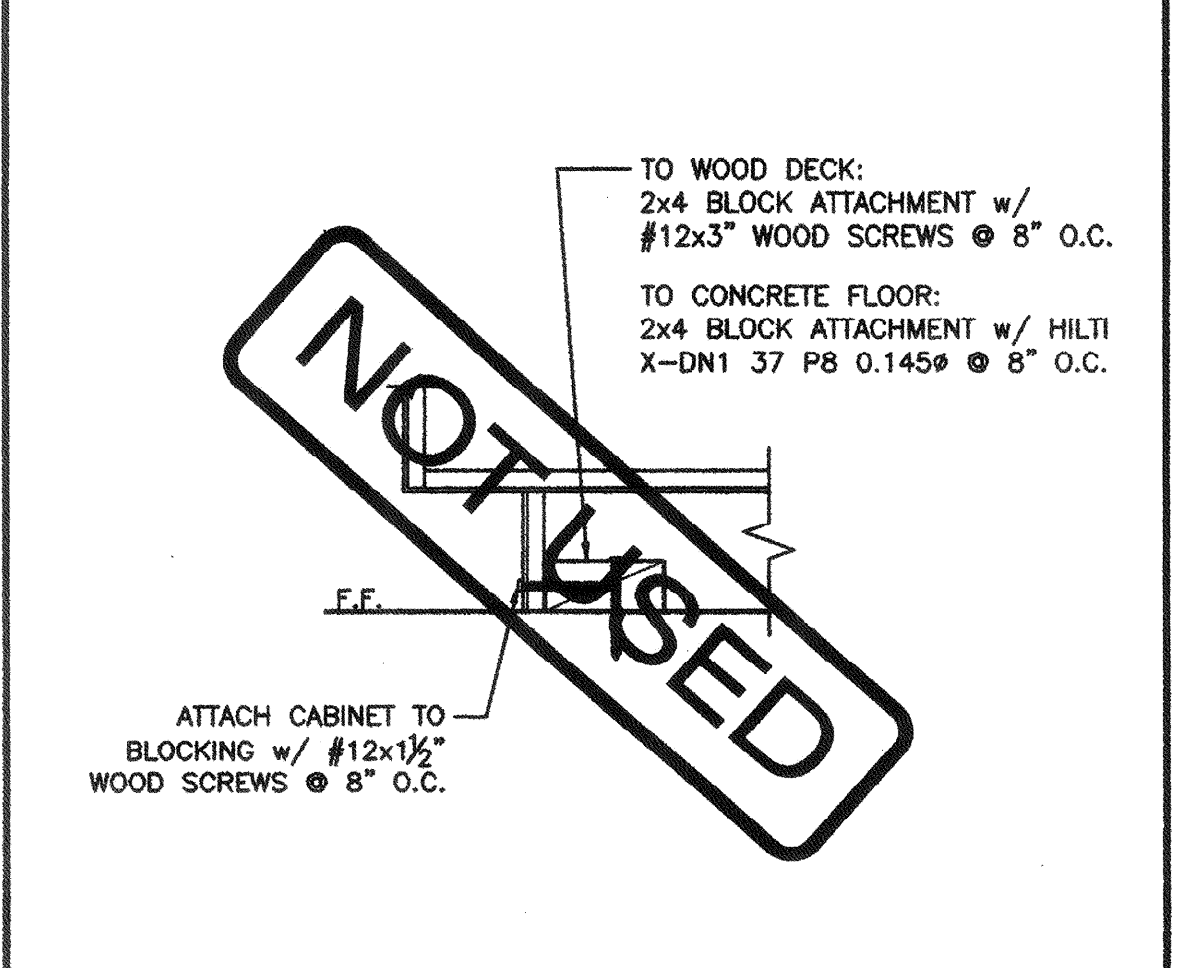
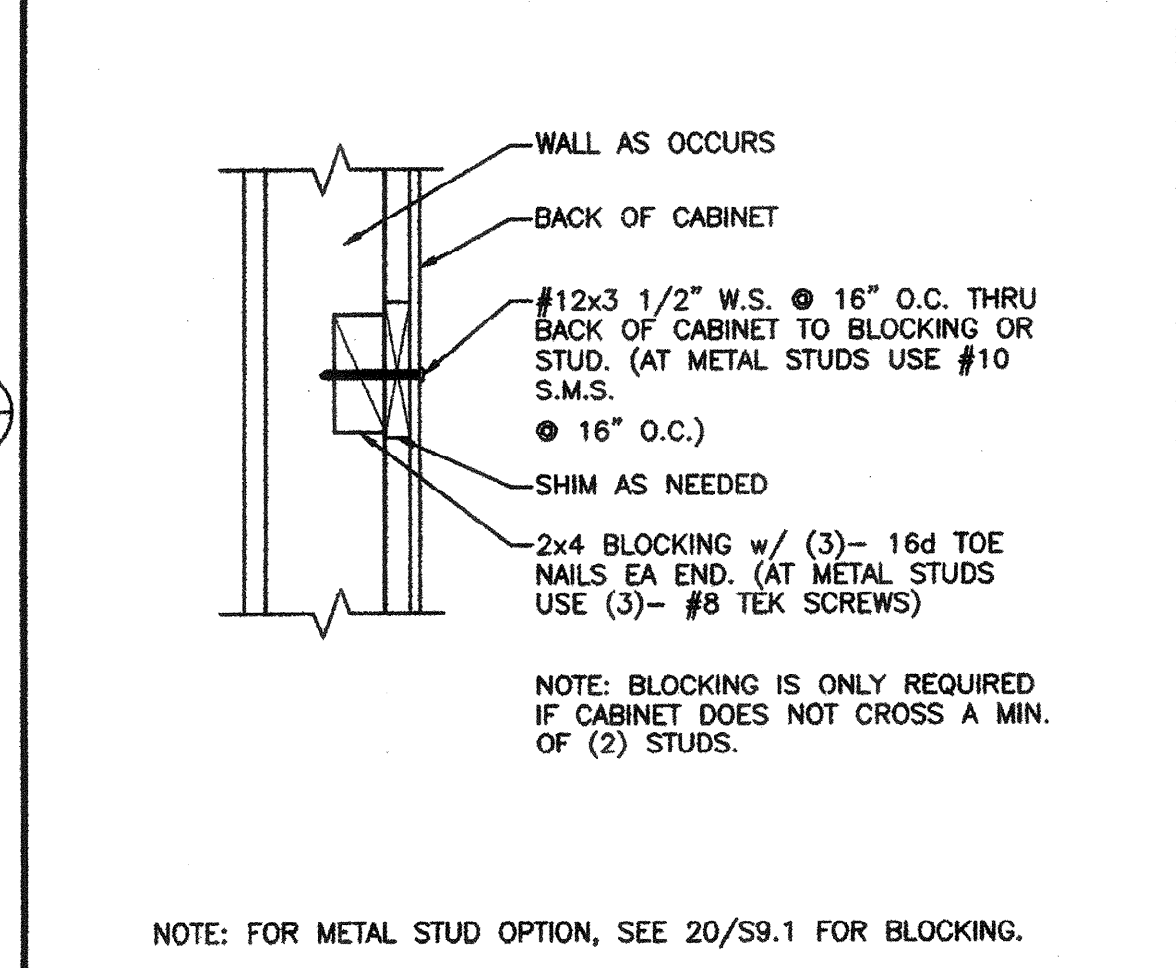
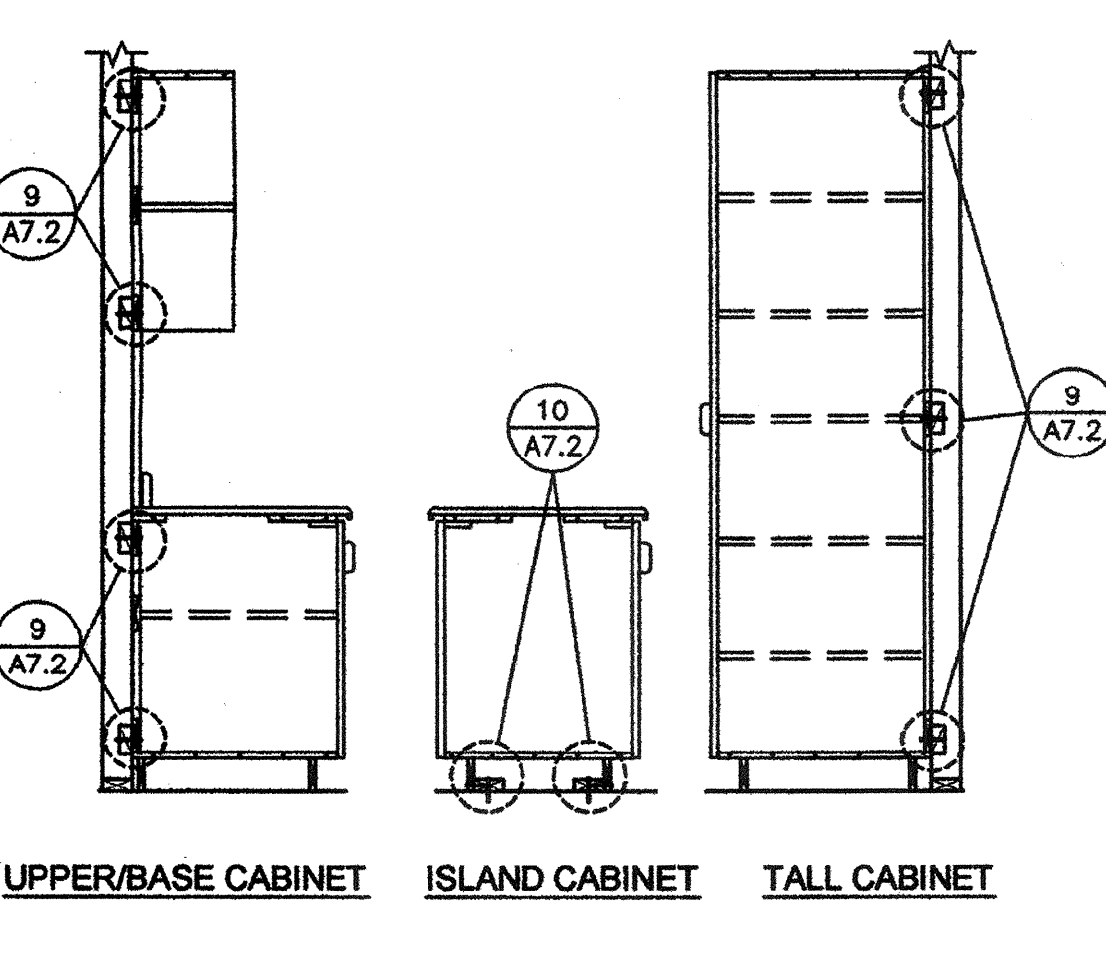
SIZE	STUD WIDTH		NOTCHING		BORING	
	NOMINAL	ACTUAL	25	25	30	30
2x4	4"	3 1/2"	7/8"	7/8"	1 1/8"	1 1/8"
2x6	6"	5 1/2"	1 3/8"	1 3/8"	1 3/8"	1 3/8"
2x8	8"	7 1/4"	1 3/4"	1 3/4"	2 3/8"	2 3/8"

SEE SCHEDULE FOR MAX HOLE ALLOWED



TOILET PARTITION ANCHORAGE BLOCKING DETAILS AT WALL SCALE: 1/2"=1'-0"

STUD NOTCHING AND BORING DETAILS SCALE: N.T.S.



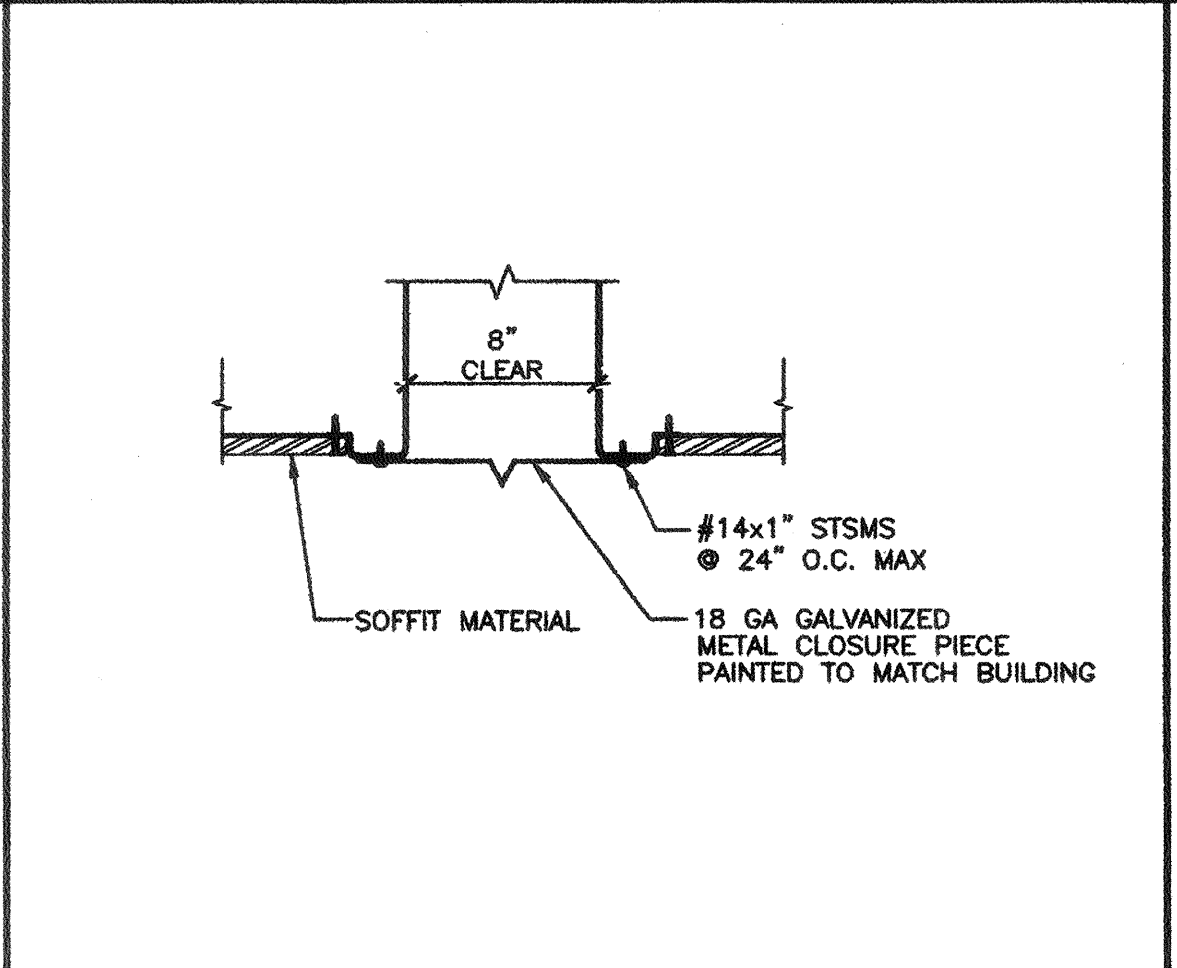
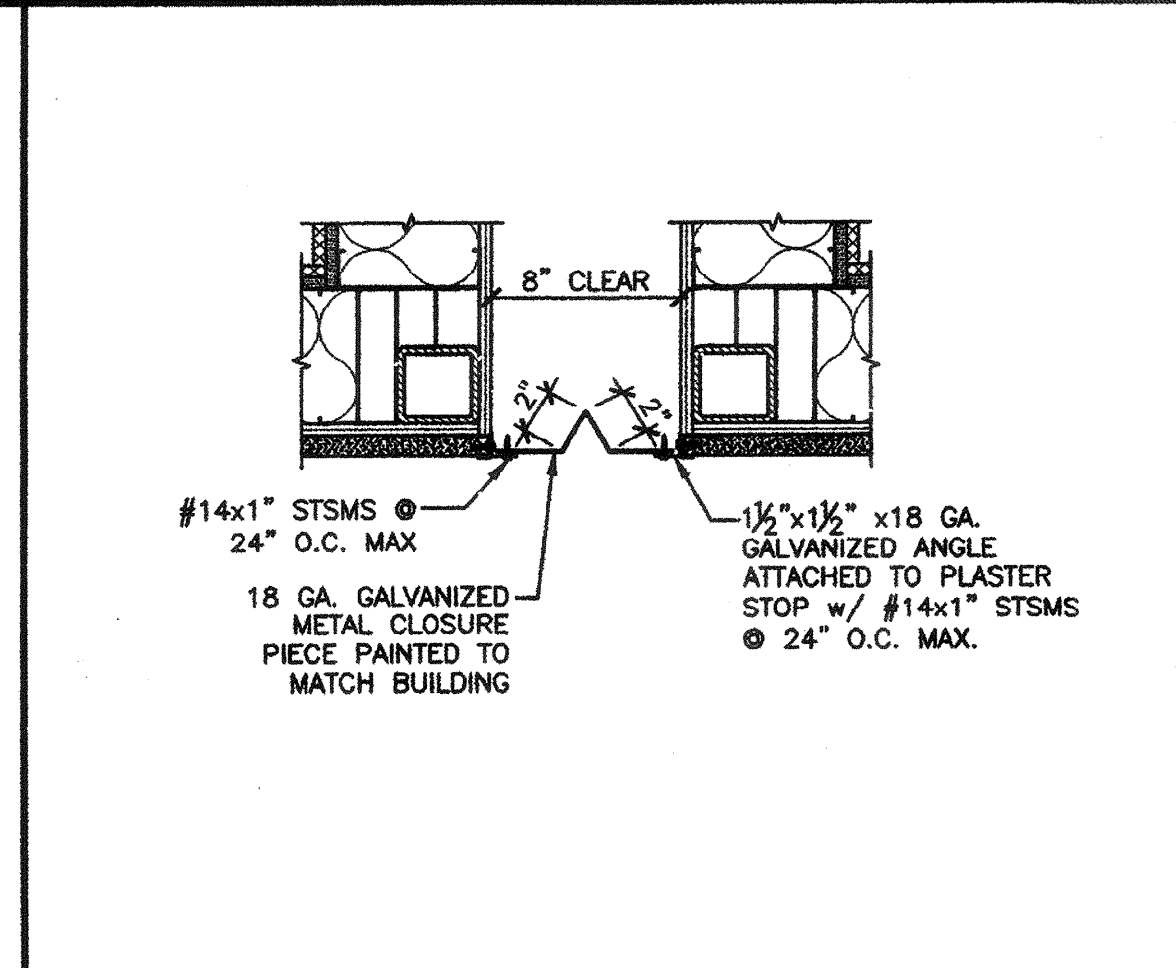
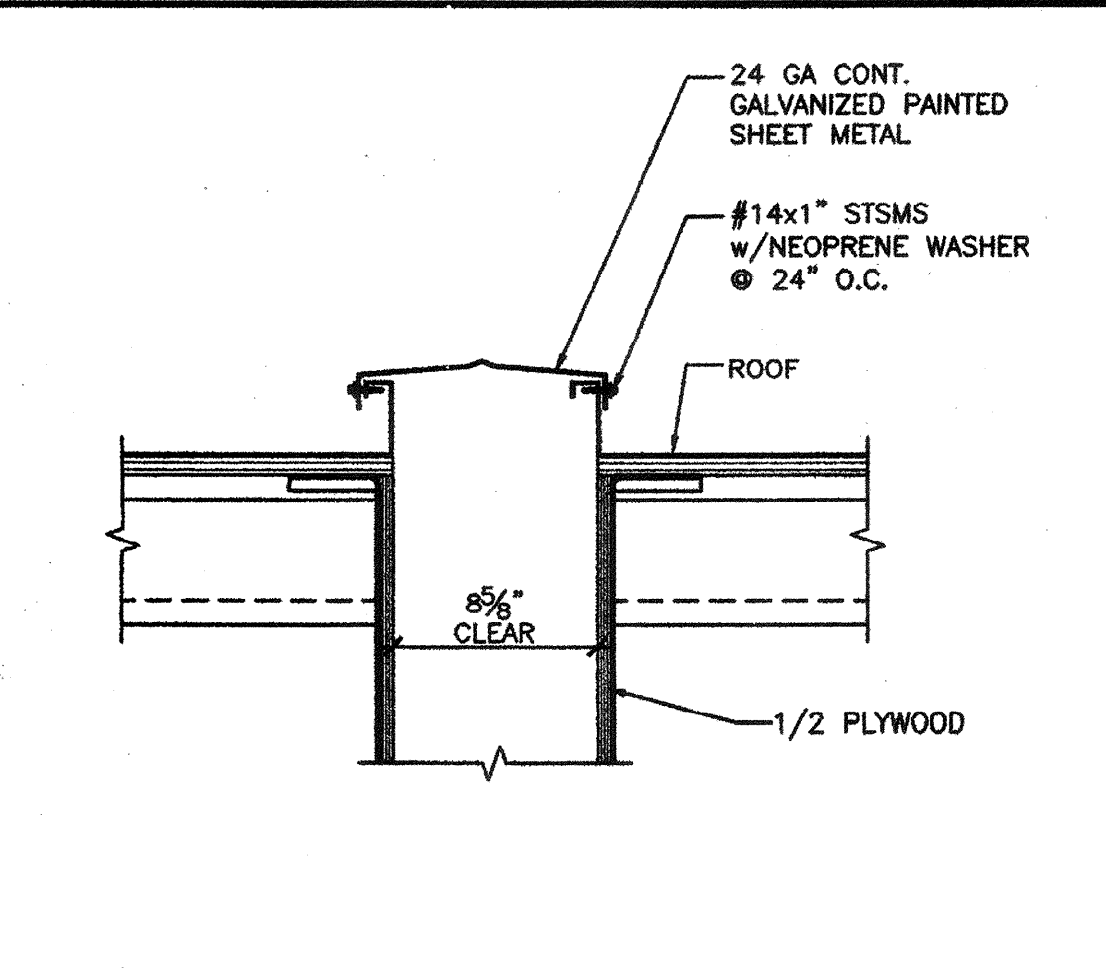
TYP. CABINET BLOCKING DETAIL SCALE: N.T.S.

CABINET BLOCKING SCALE: N.T.S.

CABINET BLOCKING SCALE: N.T.S.

NOT USED

NOT USED



NOT USED

NOT USED

WALL TO WALL EXPANSION JOINT SCALE: N.T.S.

CLOSURE PIECE @ WALL SCALE: N.T.S.

CLOSURE PIECE DETAIL @ SOFFIT SCALE: N.T.S.

NOT USED

NOT USED