

GENERAL NOTES:

- 1. ALL CONSTRUCTION SHALL COMPLY WITH THE 1995 EDITION OF THE CALIFORNIA BUILDING CODE (CBC)...

- 11. STRUCTURAL WALLING SHALL BE WITH FULL HEAD COMMON STEEL WIRE NAILS PER FEDERAL SPECIFICATION...

- 1. ALL CONCRETE SHALL DEVELOP A MINIMUM ULTIMATE COMPRESSIVE STRENGTH OF 3000 PSI AT 28 DAYS IN ACCORDANCE WITH SECTION 19024.6...

- 1. STRUCTURAL STEEL SHALL BE ASTM A500 GRADE B. (Fy = 48,000 PSI) UNLESS OTHERWISE NOTED...

- 1. FOUNDATION BEARING SHALL BE AS APPROVED BY THE DIVISION OF THE STATE ARCHITECT AND THE OWNER'S ARCHITECT...

- 1. ALL LIGHT GAGE FRAMING SHALL BE PER THE REQUIREMENTS OF THE 1995 CALIFORNIA BUILDING CODE (CBC)...

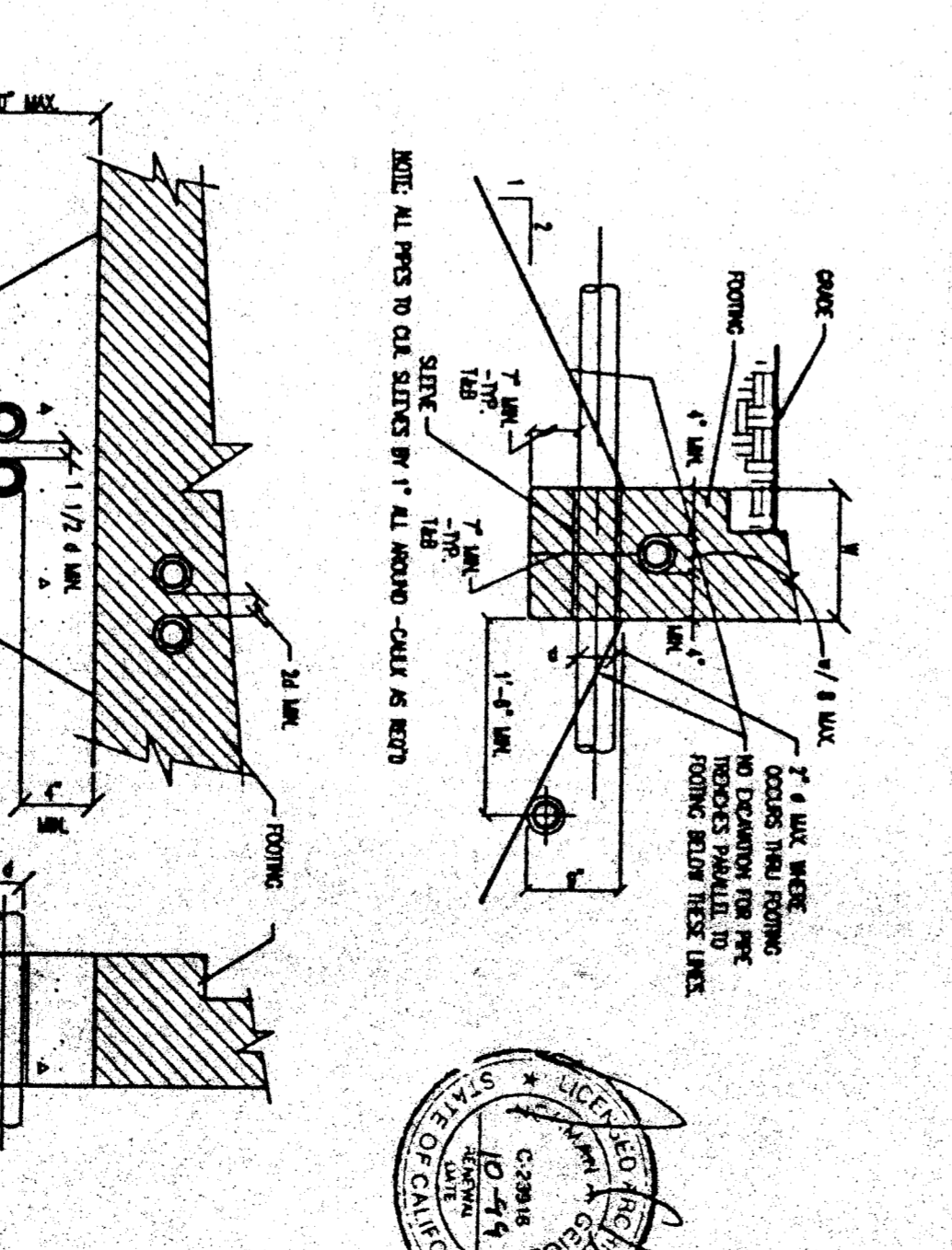
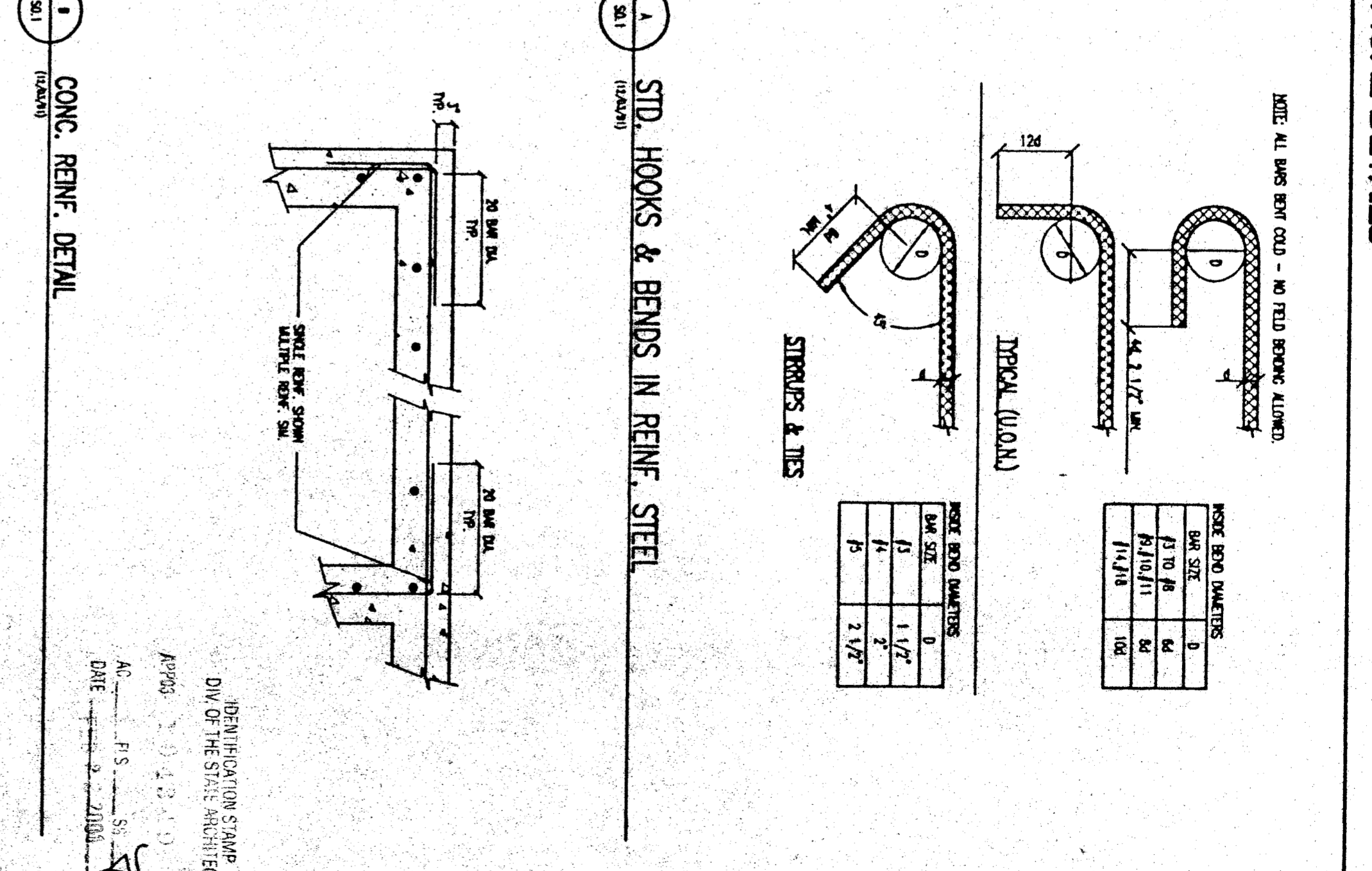
- 1. DESIGN CRITERIA: ALL STRUCTURAL AND MISCELLANEOUS STEEL SHALL BE ASTM A56 UNLESS OTHERWISE NOTED...

- 1. DESIGN CRITERIA: ALL STRUCTURAL AND MISCELLANEOUS STEEL SHALL BE ASTM A56 UNLESS OTHERWISE NOTED...

ABBREVIATIONS:

Table with columns for Abbreviation (e.g., AB, ADU, ADV) and Description (e.g., ANCHOR BOLT, ADDITIONAL)

TYPICAL DETAILS:



REVISIONS table and SIGNATURE block with project name, dates, and professional seals.

REVISIONS table with columns for revision number, date, description, and initials.

PACESETTER INDUSTRIES, INC. 24x40 RELOCATABLE BUILDING. GENERAL NOTES AND TYPICAL DETAILS. P.O. BOX 1131, MODESTO, CA 95353 (209) 521-1600.

ANDERSON & DOIC STRUCTURAL ENGINEERS. A CALIFORNIA CORPORATION. 1808 FLORIN BLVD. STE 106 SACRAMENTO, CA 95834. REGISTERED PROFESSIONAL ENGINEER BRUCE D. DOIG.